

## Sprue grippers - Series RPGB

Product code: RPGB-12-A

Datasheet creation date: 10/03/2025 02:38

Check the most updated document online [click here](#)

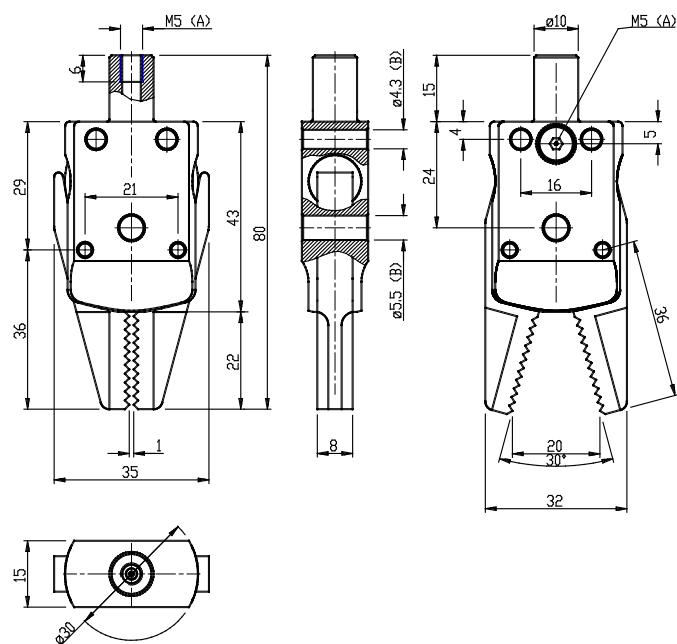


### TECHNICAL DATA

Mod.	RPGB-12-A
------	-----------

## Sprue grippers - Series RPGB

Product code: RPGB-12-A



A = Port connection  
B = Mounting holes

Mod.  
RPGB-12-A

### DIMENSIONS

<b>Series</b>	RPGB
<b>Size (mm)</b>	12=Ø12 mm
<b>Construction (mm)</b>	A = Flat finger