

Robot tool changer - Series RTC

Product code: RTC-150-T

Datasheet creation date: 10/03/2025 02:38

Check the most updated document online [click here](#)

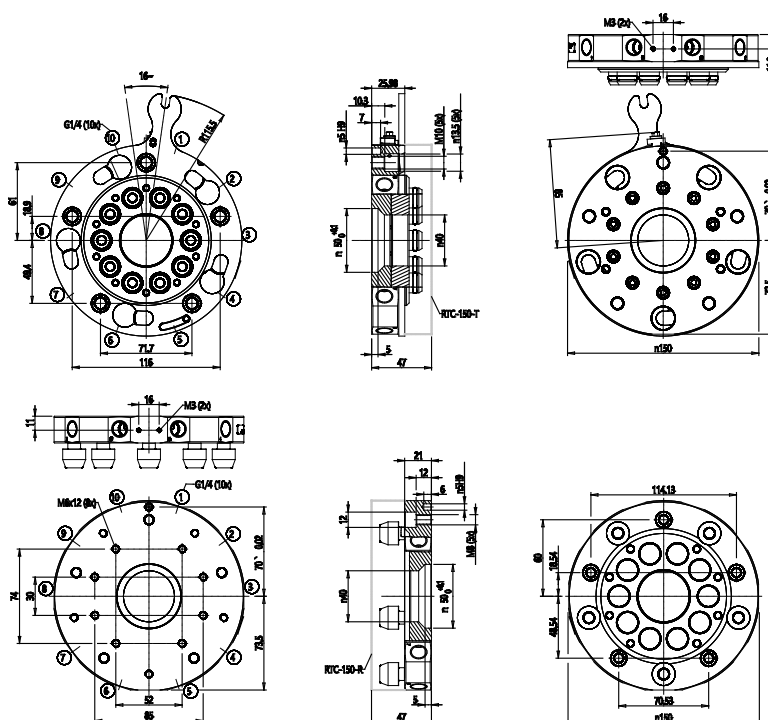


■ TECHNICAL DATA

Series	RTC
Sizes	150
Version	T = Tool

Robot tool changer - Series RTC

Product code: RTC-150-T



DIMENSIONS

Series	RTC
Sizes	150
Version	T = Tool