

## Robot tool changer - Series RTC

Product code: RTC-50-R

Datasheet creation date: 10/03/2025 02:39

Check the most updated document online [click here](#)

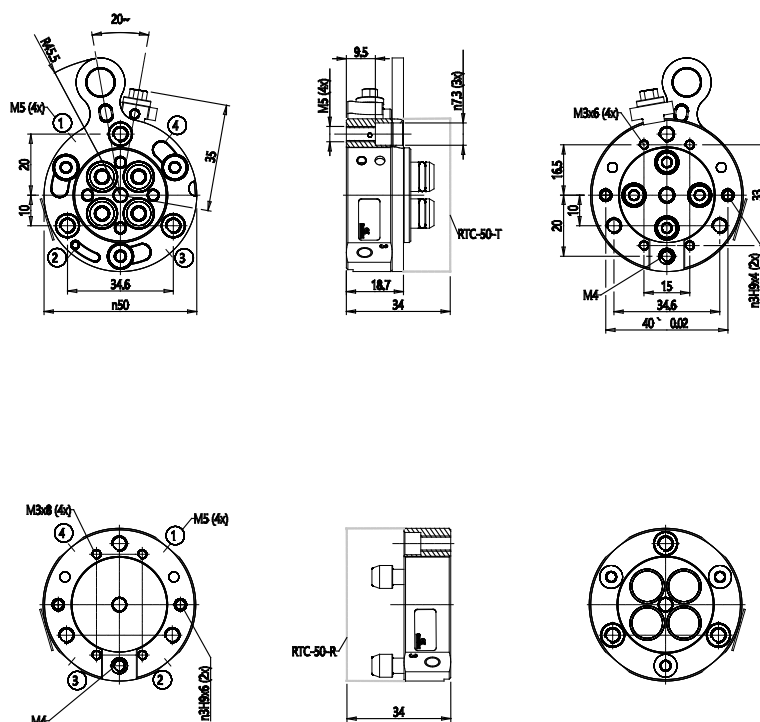


### ■ TECHNICAL DATA

<b>Series</b>	RTC
<b>Sizes</b>	50
<b>Version</b>	R = Robot

## Robot tool changer - Series RTC

Product code: RTC-50-R



### DIMENSIONS

<b>Series</b>	RTC
<b>Sizes</b>	50
<b>Version</b>	R = Robot