

Robot tool changer - Series RTC

Product code: RTC-50-T

Datasheet creation date: 10/03/2025 02:39

Check the most updated document online [click here](#)

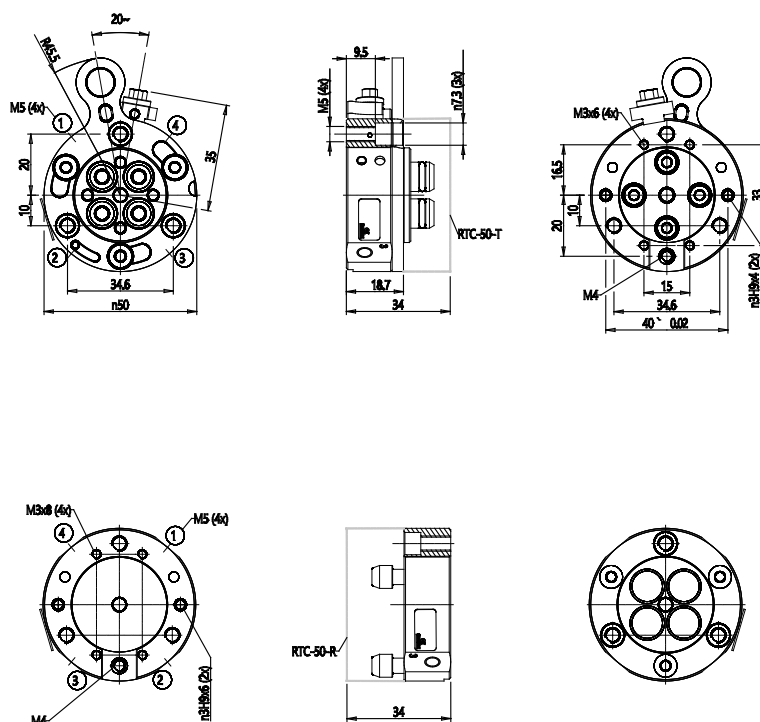


TECHNICAL DATA

Series	RTC
Sizes	50
Version	T = Tool

Robot tool changer - Series RTC

Product code: RTC-50-T



DIMENSIONS

Series	RTC
Sizes	50
Version	T = Tool