

## Mounting bands for sensors CST - CSH - Mod. S-CST

Product code: S-CST-02

Datasheet creation date: 07/03/2025 14:30

Check the most updated document online [click here](#)



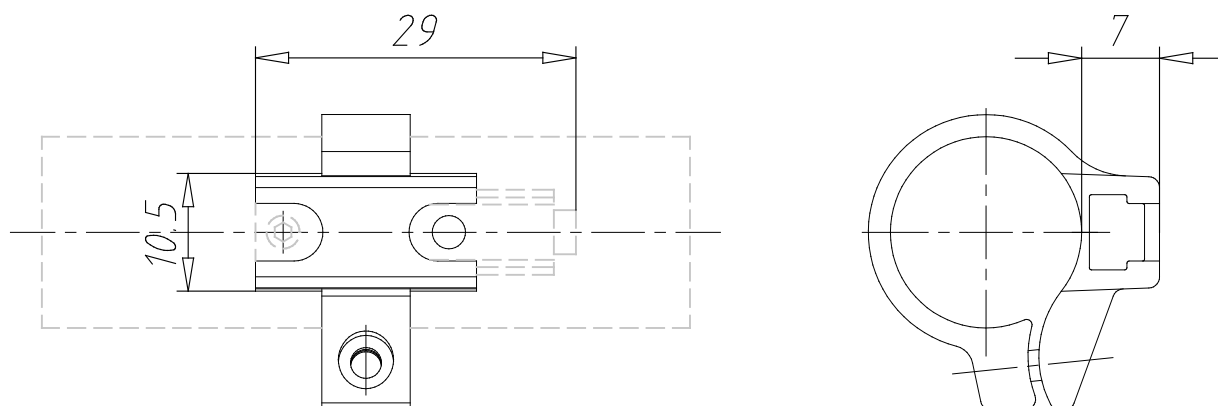
### TECHNICAL DATA

<b>Mod.</b>	S-CST-02
<b>Description</b>	for cylinders Ø16 Series 24-25-27

## Mounting bands for sensors CST - CSH - Mod. S-CST

Product code: S-CST-02

*S-CST-02...04, S-CST-18...21*



### **DIMENSIONS**

<b>Mod.</b>	S-CST-02
<b>Description</b>	for cylinders Ø16 Series 24-25-27