

## Mounting bands for sensors CST - CSH - Mod. S-CST

Product code: S-CST-09

Datasheet creation date: 07/03/2025 14:30

Check the most updated document online [click here](#)



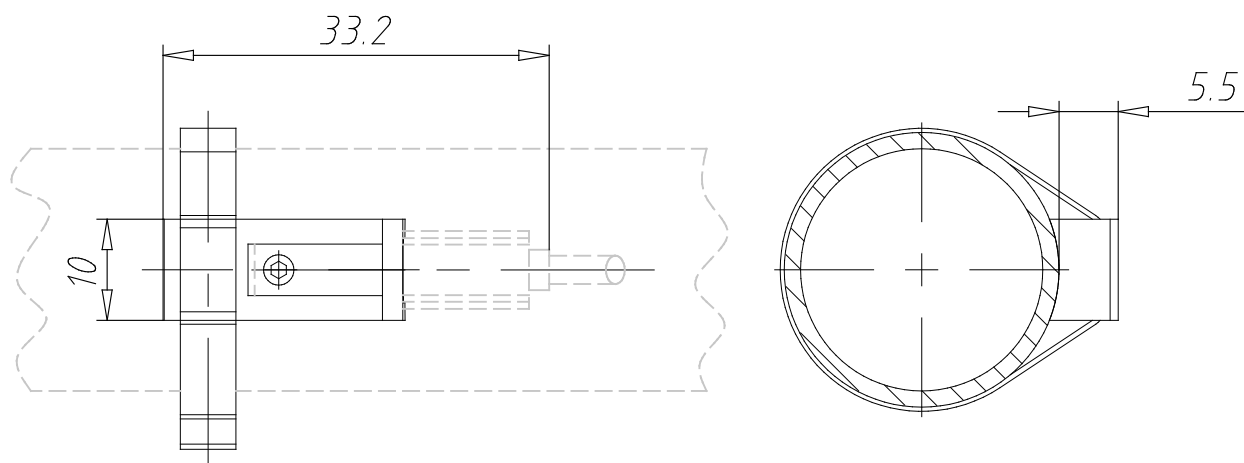
### TECHNICAL DATA

<b>Mod.</b>	S-CST-09
<b>Description</b>	for cylinders Ø63 Series 90-92

## Mounting bands for sensors CST - CSH - Mod. S-CST

Product code: S-CST-09

S-CST-05...12



### **DIMENSIONS**

<b>Mod.</b>	S-CST-09
<b>Description</b>	for cylinders Ø63 Series 90-92