

Mounting bands for sensors CST - CSH - Mod. S-CST

Product code: S-CST-45N2

Datasheet creation date: 07/03/2025 14:31

Check the most updated document online [click here](#)

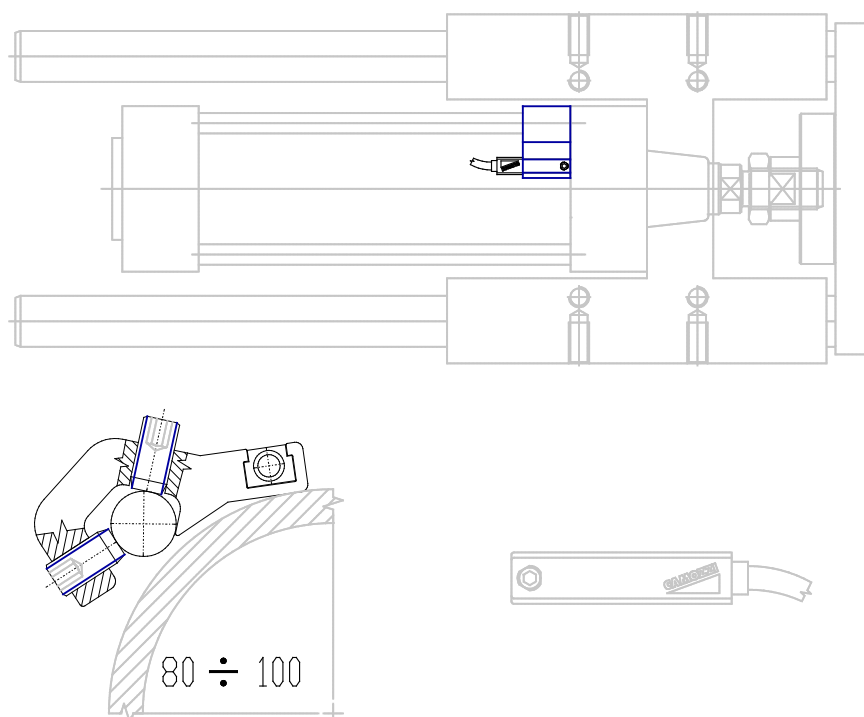


TECHNICAL DATA

Mod.	S-CST-45N2
Description	for cylinders Series 60 Ø80-100 with guides Series 45

Mounting bands for sensors CST - CSH - Mod. S-CST

Product code: S-CST-45N2



DIMENSIONS

Mod.	S-CST-45N2
Description	for cylinders Series 60 Ø80-100 with guides Series 45