

Slot cover profile - Mod. S-CST-500

Product code: S-CST-500

Datasheet creation date: 07/03/2025 14:31

Check the most updated document online [click here](#)

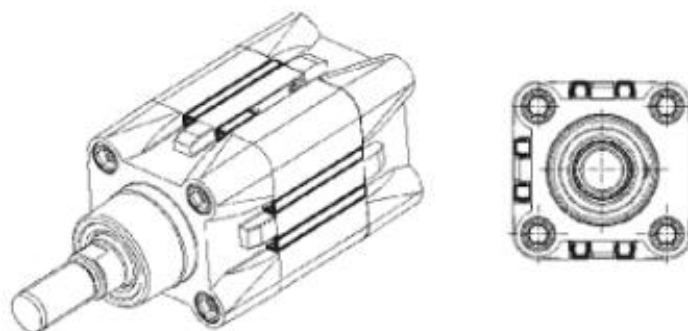


TECHNICAL DATA

Mod.	S-CST-500
------	-----------

Slot cover profile - Mod. S-CST-500

Product code: S-CST-500



DIMENSIONS

length (mm)	500
-------------	-----