

Mod. S2510 - Sprint fittings Serie S2000

Product code: S2510 1/4-3/8

Datasheet creation date: 10/03/2025 02:59

Check the most updated document online [click here](#)

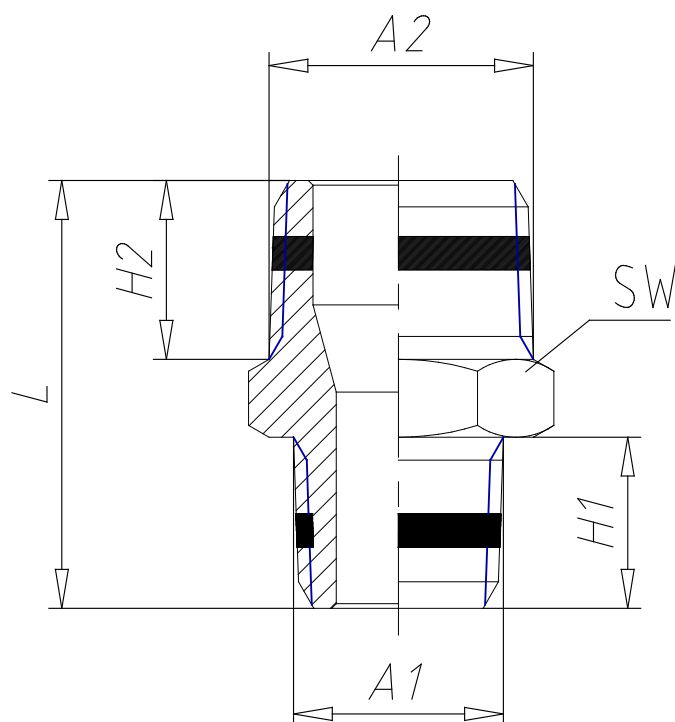


TECHNICAL DATA

Mod.	S2510 1/4-3/8
------	---------------

Mod. S2510 - Sprint fittings Serie S2000

Product code: S2510 1/4-3/8



DIMENSIONS

A1	R1/4
A2	R3/8
H1 (mm)	11.0
H2 (mm)	11.5
L (mm)	27.5
SW (mm)	17