

Adjustable stop collar for stroke regulation - Series SA

Product code: SA-08SC

Datasheet creation date: 07/03/2025 16:05

Check the most updated document online [click here](#)

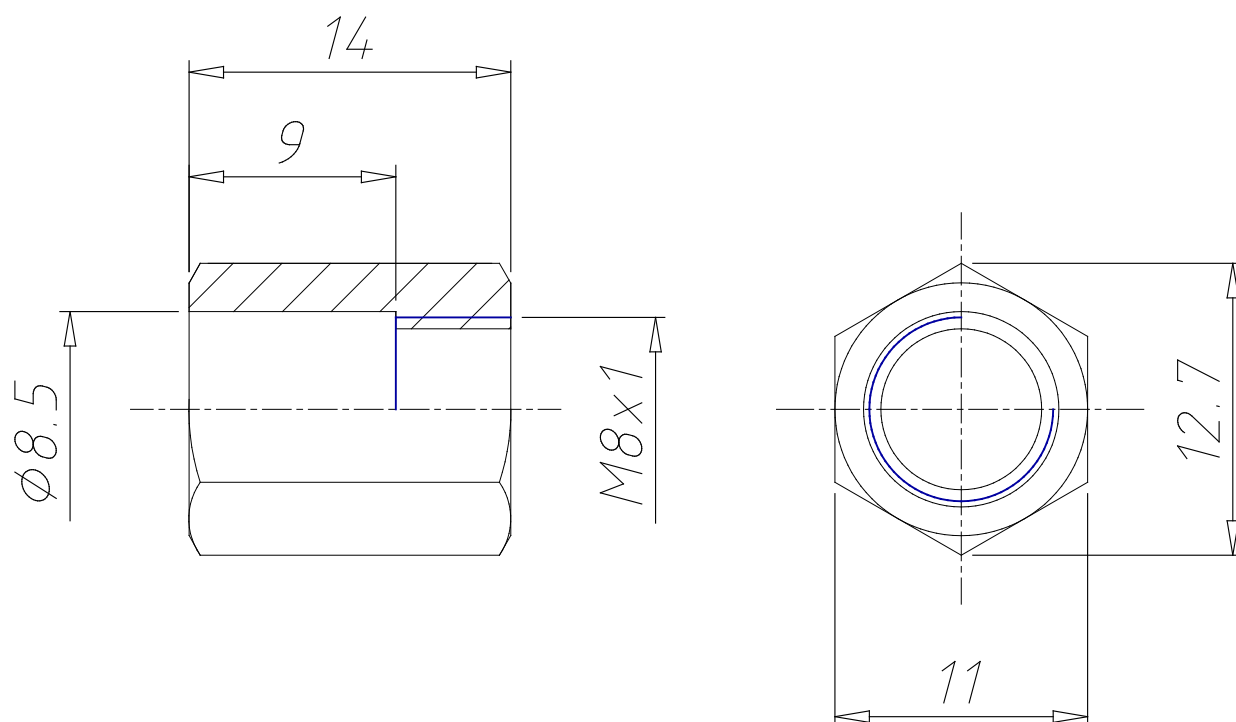


■ TECHNICAL DATA

| | |
|---------------|------|
| Series | SA |
| Mod. | 08SC |

Adjustable stop collar for stroke regulation - Series SA

Product code: SA-08SC



DIMENSIONS

| | |
|---------------|------|
| Series | SA |
| Mod. | 08SC |