

Circuit selector - Series SCS

Product code: SCS-668-06

Datasheet creation date: 10/03/2025 11:09

Check the most updated document online [click here](#)

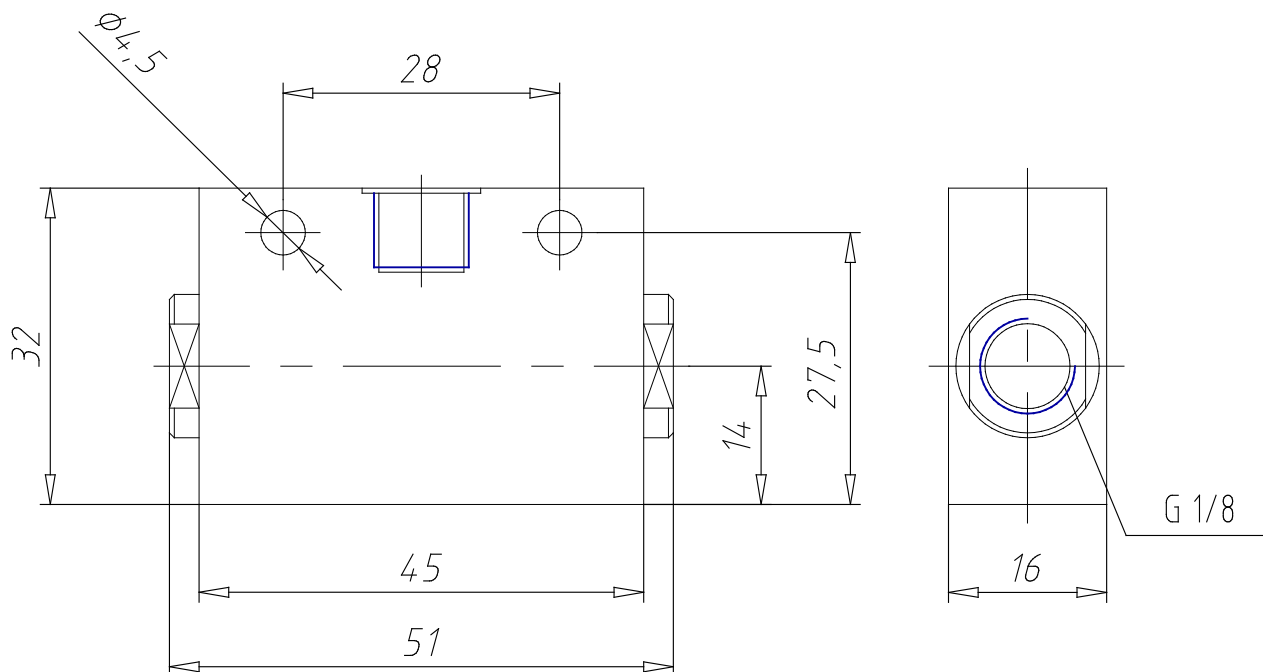


TECHNICAL DATA

Mod.	SCS-668-06
------	------------

Circuit selector - Series SCS

Product code: SCS-668-06



DIMENSIONS

Mod.	SCS-668-06
------	------------