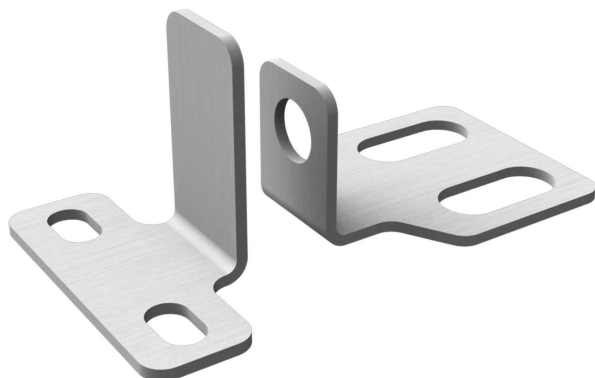


Kit to fix the inductive sensor - Mod. SIS

Product code: SIS-M8-65

Datasheet creation date: 07/03/2025 15:41

Check the most updated document online [click here](#)

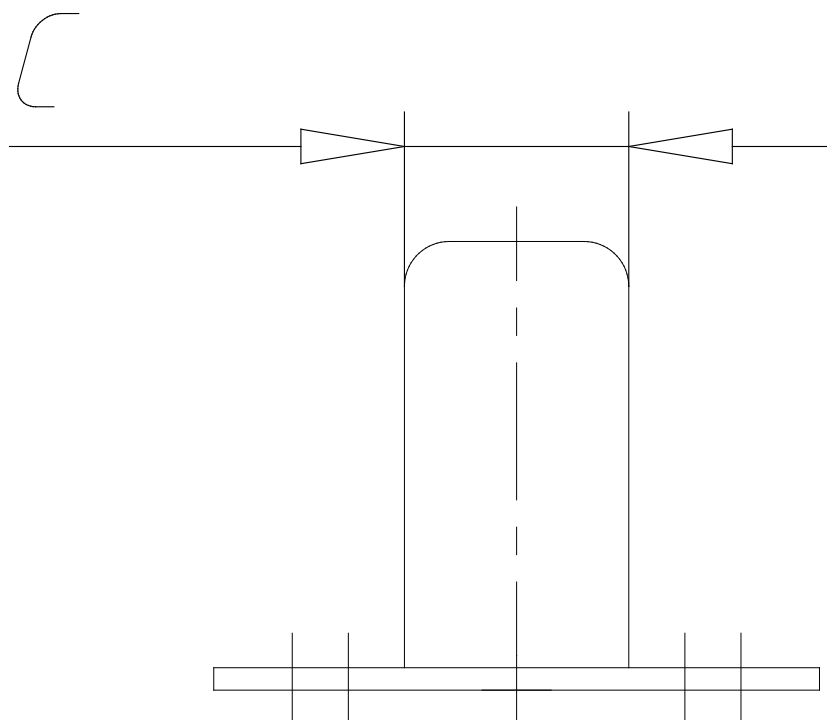


TECHNICAL DATA

Mod.	SIS-M8-65
Size	65

Kit to fix the inductive sensor - Mod. SIS

Product code: SIS-M8-65



DIMENSIONS

A (mm)	27
C (mm)	10
D (mm)	20
E (mm)	3.5
H1 (mm)	13
H2 (mm)	8.5
I (mm)	5.5
L (mm)	25
M (mm)	15
N1 (mm)	10.5
N2 (mm)	24
Ø O (mm)	8.5
P (mm)	10
Q (mm)	18.5
R (mm)	30
S (mm)	15
Weight (g)	10