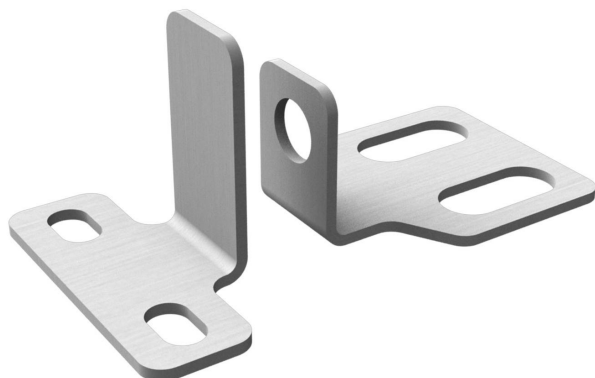


## Kit to fix the inductive sensor - Mod. SIS

Product code: SIS-M8-80

Datasheet creation date: 07/03/2025 15:41

Check the most updated document online [click here](#)

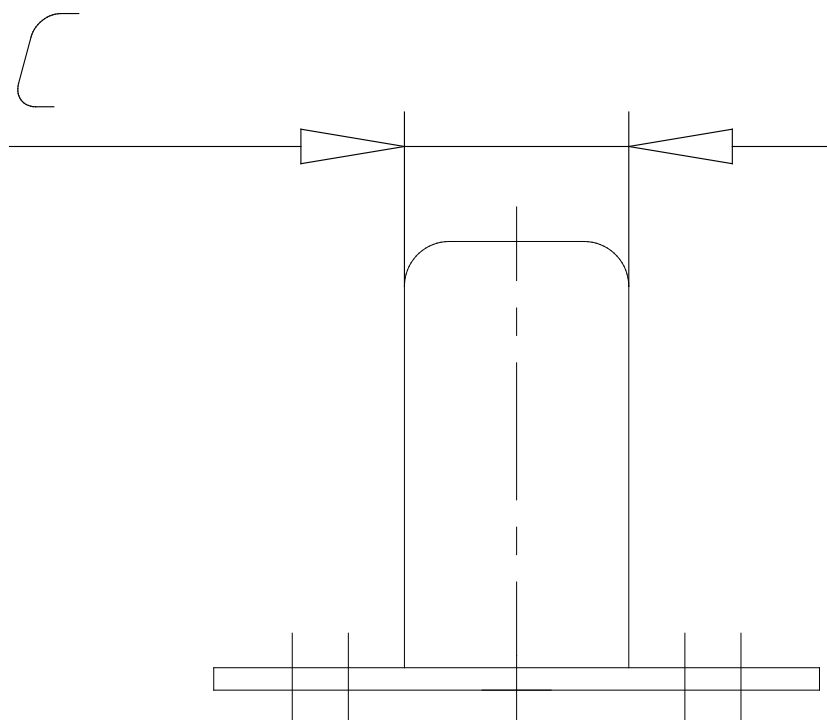


### TECHNICAL DATA

Mod.	SIS-M8-80
Size	80

## Kit to fix the inductive sensor - Mod. SIS

Product code: SIS-M8-80



### **DIMENSIONS**

<b>A (mm)</b>	45
<b>C (mm)</b>	15
<b>D (mm)</b>	20
<b>E (mm)</b>	4.5
<b>H1 (mm)</b>	16
<b>H2 (mm)</b>	10.5
<b>I (mm)</b>	5.5
<b>L (mm)</b>	25
<b>M (mm)</b>	15
<b>N1 (mm)</b>	10.5
<b>N2 (mm)</b>	24
<b>Ø O (mm)</b>	8.5
<b>P (mm)</b>	10
<b>Q (mm)</b>	18.5
<b>R (mm)</b>	30
<b>S (mm)</b>	15
<b>Weight (g)</b>	15