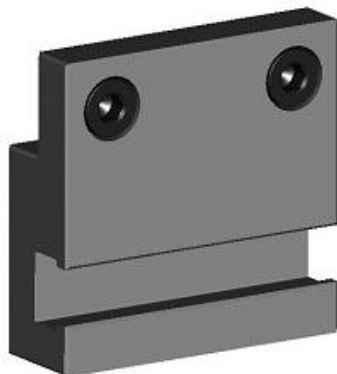


Mod. SMS-5V - sensor holder kit

Product code: SMS-5V-5050

Datasheet creation date: 07/03/2025 15:41

Check the most updated document online [click here](#)

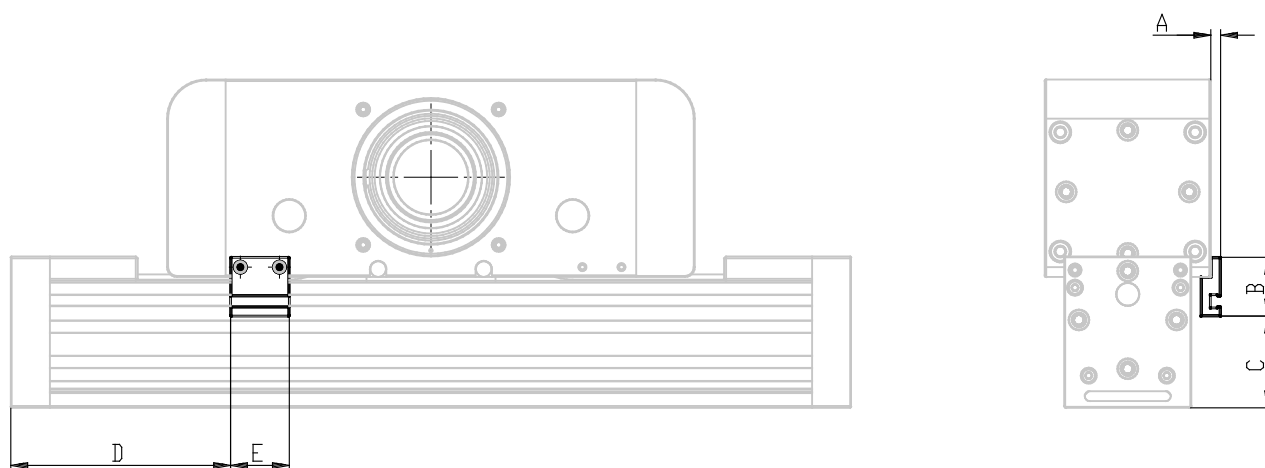


TECHNICAL DATA

Mod.	SMS-5V-50
Size	50

Mod. SMS-5V - sensor holder kit

Product code: SMS-5V-5050



DIMENSIONS

A (mm)	7.500
B (mm)	30.000
C	32.000
D	100.000
E (mm)	30.000