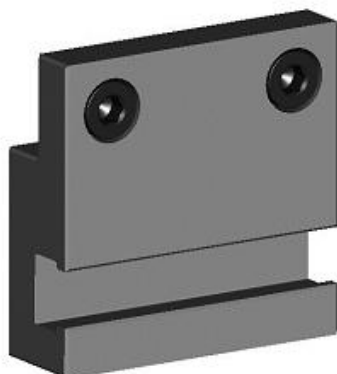


## Mod. SMS-5V - sensor holder kit

Product code: SMS-5V-65/8065

Datasheet creation date: 07/03/2025 15:41

Check the most updated document online [click here](#)

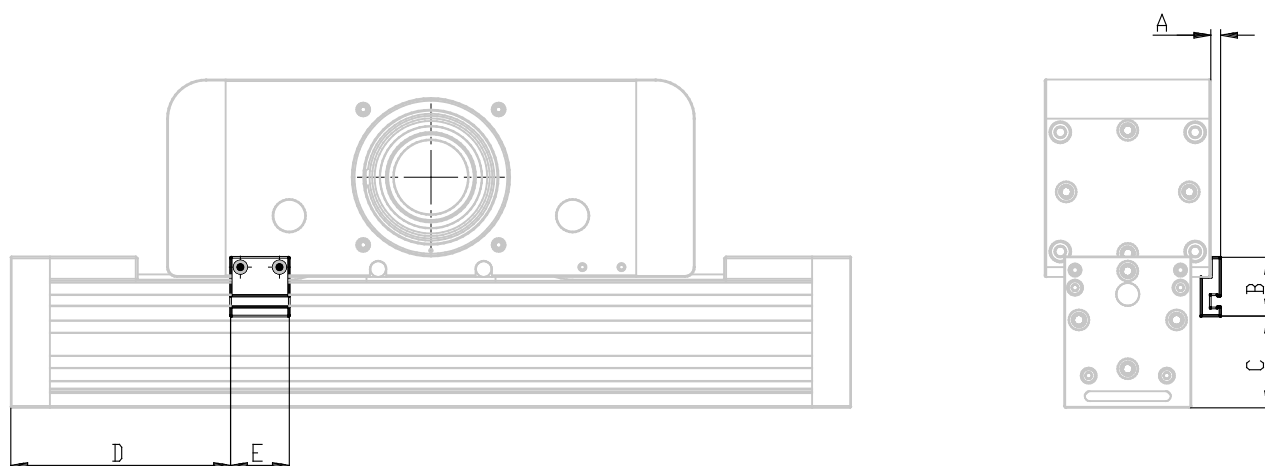


### TECHNICAL DATA

Mod.	SMS-5V-65/80
Size	65

## Mod. SMS-5V - sensor holder kit

Product code: SMS-5V-65/8065



### DIMENSIONS

<b>A (mm)</b>	5.000
<b>B (mm)</b>	30.000
<b>C</b>	47.000
<b>D</b>	112.500
<b>E (mm)</b>	30.000