

Valves - Series SVU

Product code: SVU 610-1/2

Datasheet creation date: 10/03/2025 12:17

Check the most updated document online [click here](#)

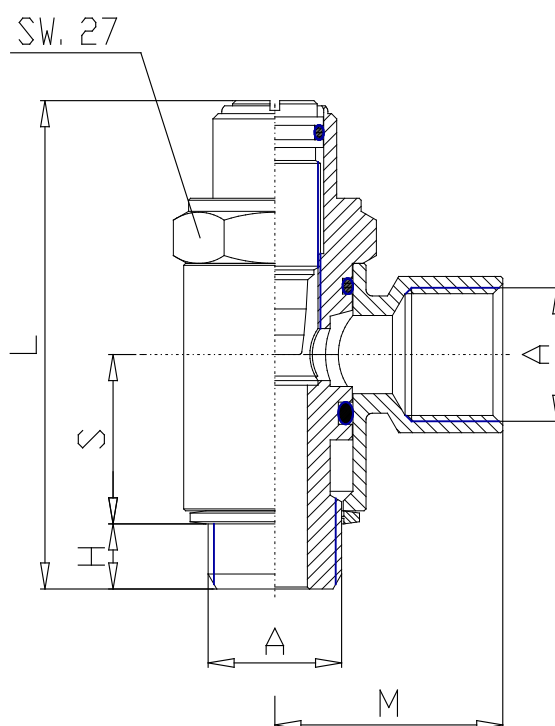


TECHNICAL DATA

Mod.	SVU 610-1/2
------	-------------

Valves - Series SVU

Product code: SVU 610-1/2



DIMENSIONS

A	1/2
H (mm)	10.0
L (mm)	75.0
S (mm)	26.0
SW (mm)	27
M (mm)	36