

Series SWCN - Vacuum/Pressure switch

Product code: SWCN-P10-P3-2

Datasheet creation date: 10/03/2025 02:39

Check the most updated document online [click here](#)

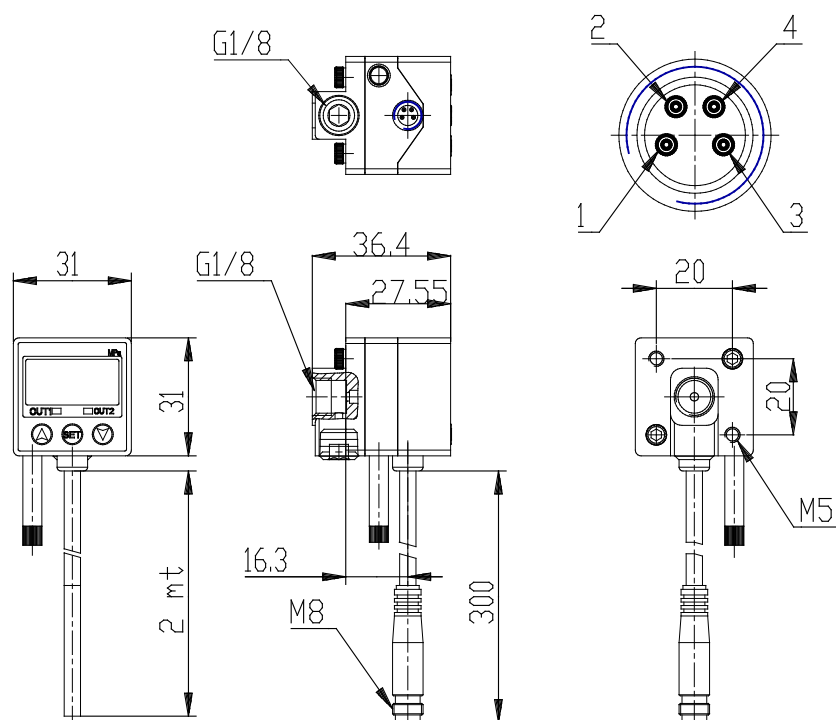


TECHNICAL DATA

Mod.	SWCN
Measuring range	P10 = from 0 bar to 10 bar
Type of electric connection	P3 = n° 2 PNP outputs + n° 1 analogue output 1 - 5 V DC
Electrical Connection	2 = cable 2 meters

Series SWCN - Vacuum/Pressure switch

Product code: SWCN-P10-P3-2



DIMENSIONS

Mod.	SWCN
Measuring range	P10 = from 0 bar to 10 bar
Type of electric connection	P3 = n° 2 PNP outputs + n° 1 analogue output 1 - 5 V DC
Electrical Connection	2 = cable 2 meters