

## Series SWCN - Vacuum/Pressure switch

Product code: SWCN-P10-P4-M

Datasheet creation date: 10/03/2025 02:39

Check the most updated document online [click here](#)

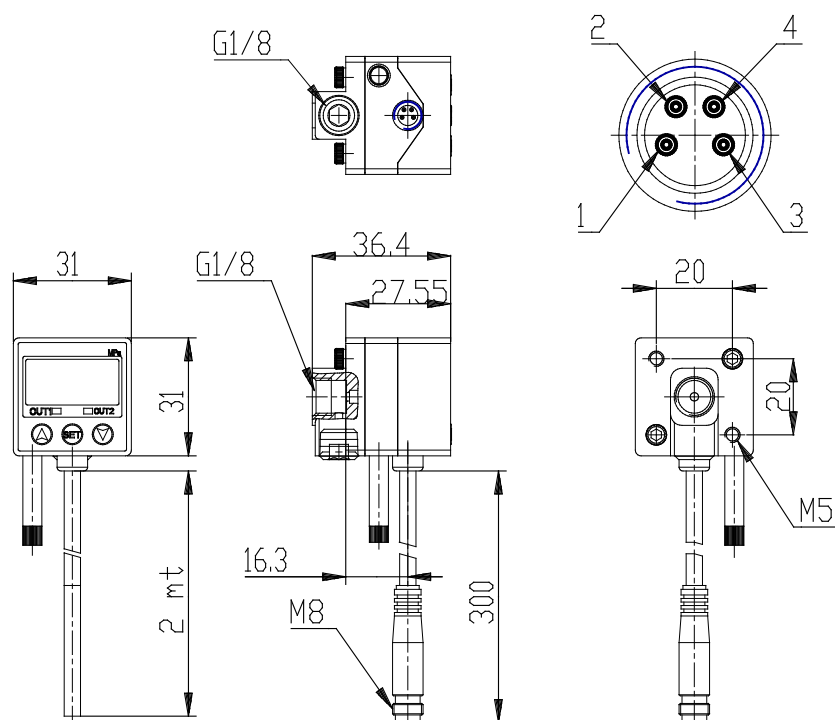


### TECHNICAL DATA

<b>Mod.</b>	SWCN
<b>Measuring range</b>	P10 = from 0 bar to 10 bar
<b>Type of electric connection</b>	P4 = n° 2 PNP outputs
<b>Electrical Connection</b>	M = M8 4 Pin connector

## Series SWCN - Vacuum/Pressure switch

Product code: SWCN-P10-P4-M



### DIMENSIONS

<b>Mod.</b>	SWCN
<b>Measuring range</b>	P10 = from 0 bar to 10 bar
<b>Type of electric connection</b>	P4 = n° 2 PNP outputs
<b>Electrical Connection</b>	M = M8 4 Pin connector