

## Series SWCN - Vacuum/Pressure switch

Product code: SWCN-V01-P4-2

Datasheet creation date: 10/03/2025 02:39

Check the most updated document online [click here](#)

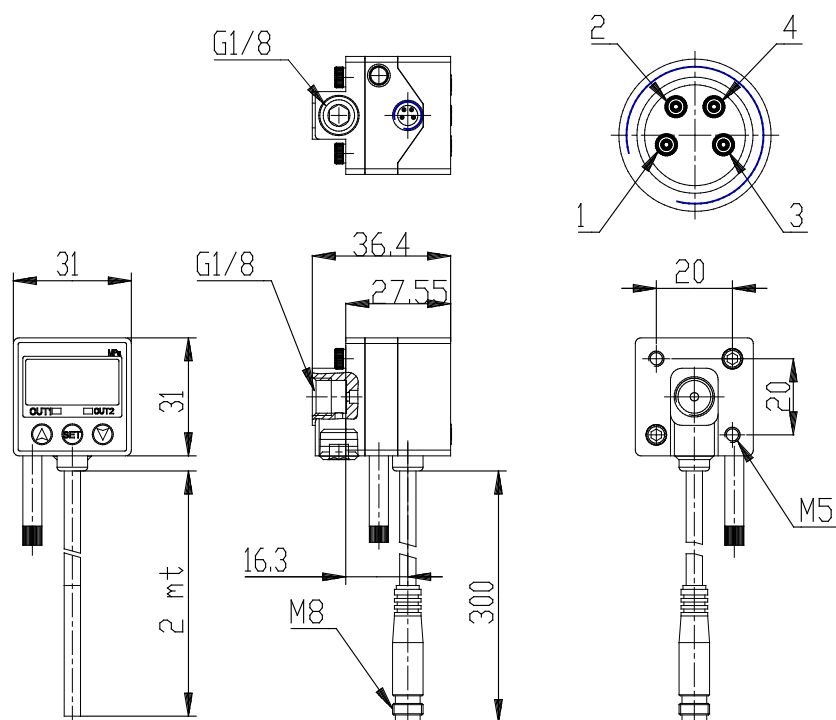


### TECHNICAL DATA

<b>Mod.</b>	SWCN
<b>Measuring range</b>	V01 = from -1 bar to 1 bar
<b>Type of electric connection</b>	P4 = n° 2 PNP outputs
<b>Electrical Connection</b>	2 = cable 2 meters

## Series SWCN - Vacuum/Pressure switch

Product code: SWCN-V01-P4-2



### DIMENSIONS

<b>Mod.</b>	SWCN
<b>Measuring range</b>	V01 = from -1 bar to 1 bar
<b>Type of electric connection</b>	P4 = n° 2 PNP outputs
<b>Electrical Connection</b>	2 = cable 2 meters