

Series SWCN - Vacuum/Pressure switch

Product code: SWCN-V01-P4-M

Datasheet creation date: 10/03/2025 02:39

Check the most updated document online [click here](#)

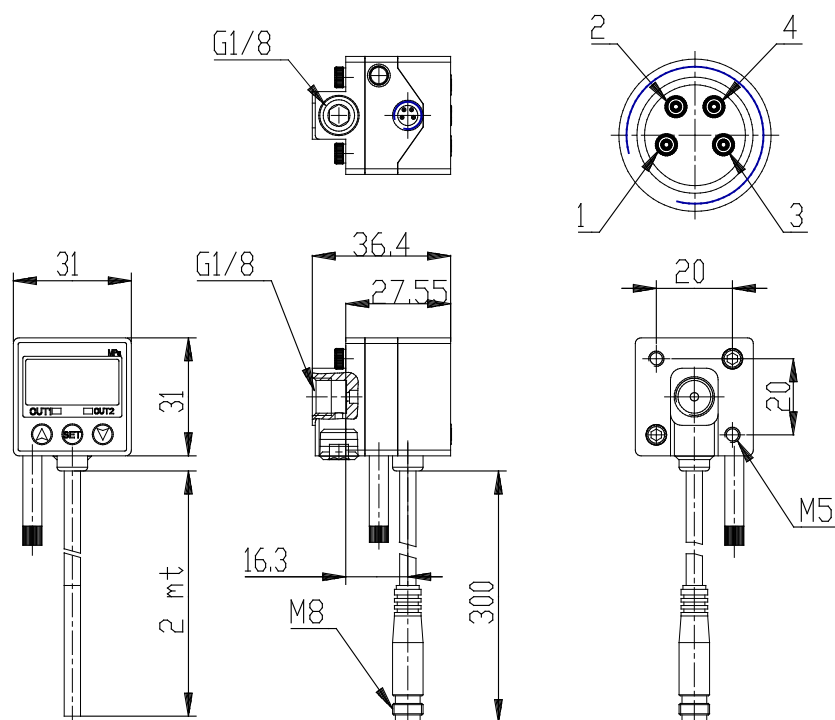


TECHNICAL DATA

Mod.	SWCN
Measuring range	V01 = from -1 bar to 1 bar
Type of electric connection	P4 = n° 2 PNP outputs
Electrical Connection	M = M8 4 Pin connector

Series SWCN - Vacuum/Pressure switch

Product code: SWCN-V01-P4-M



DIMENSIONS

Mod.	SWCN
Measuring range	V01 = from -1 bar to 1 bar
Type of electric connection	P4 = n° 2 PNP outputs
Electrical Connection	M = M8 4 Pin connector