

## Bracket with threaded pins - Mod. T

Product code: T-27-63

Datasheet creation date: 07/03/2025 15:56

Check the most updated document online [click here](#)

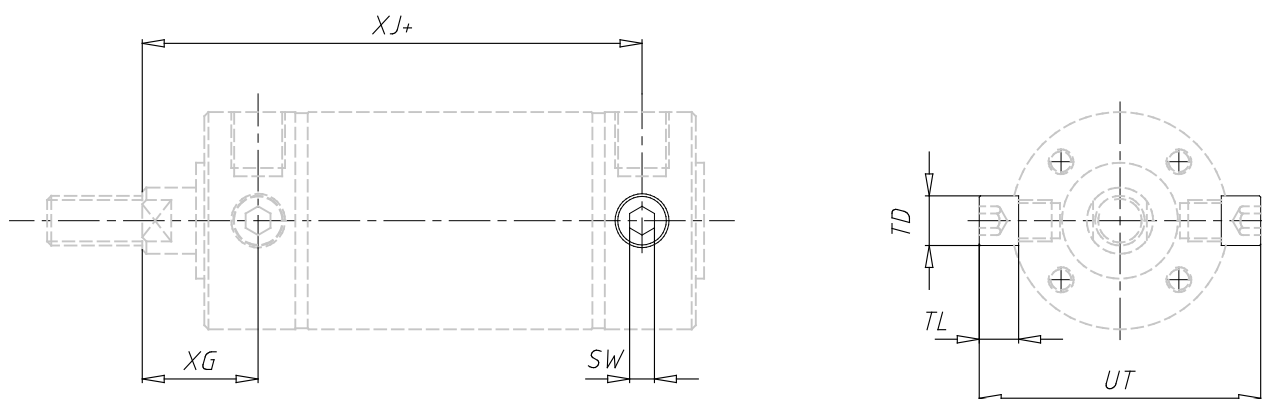


### TECHNICAL DATA

Mod.	T-27-63
------	---------

## Bracket with threaded pins - Mod. T

Product code: T-27-63



### DIMENSIONS

<b>SW (mm)</b>	6
<b>Ø TD h9 (mm)</b>	14
<b>TL (mm)</b>	11.0
<b>UT (mm)</b>	84
<b>XG (mm)</b>	26
<b>XJ (mm)</b>	86