

Pressure microregulators - Series TC

Product code: TC1-R21-1/8-V-OX2

Datasheet creation date: 10/03/2025 01:49

Check the most updated document online [click here](#)

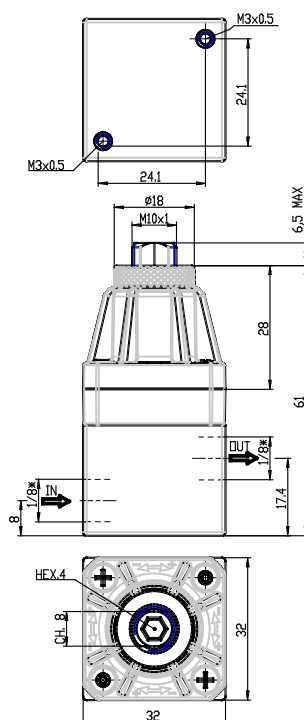


TECHNICAL DATA

Series	TC
SIZE	1
Regulator	R
WORKING PRESSURE	2= 0-2 bar
TYPE OF CONSTRUCTION	1 = without relieving
PORTS	1/8 = G1/8
SEALING	V= FKM
VERSIONS	OX2 = for oxygen (non-volatile residue lower than 33 mg/m ²)

Pressure microregulators - Series TC

Product code: TC1-R21-1/8-V-OX2



DIMENSIONS

Series	TC
SIZE	1
Regulator	R
WORKING PRESSURE	2= 0-2 bar
TYPE OF CONSTRUCTION	1 = without relieving
PORTS	1/8 = G1/8
SEALING	V= FKM
VERSIONS	OX2 = for oxygen (non-volatile residue lower than 33 mg/m ²)