

## Blanking plug for CNVL manifolds - Series 3/ Series 4

Product code: TCNVL/3

Datasheet creation date: 07/03/2025 16:13

Check the most updated document online [click here](#)



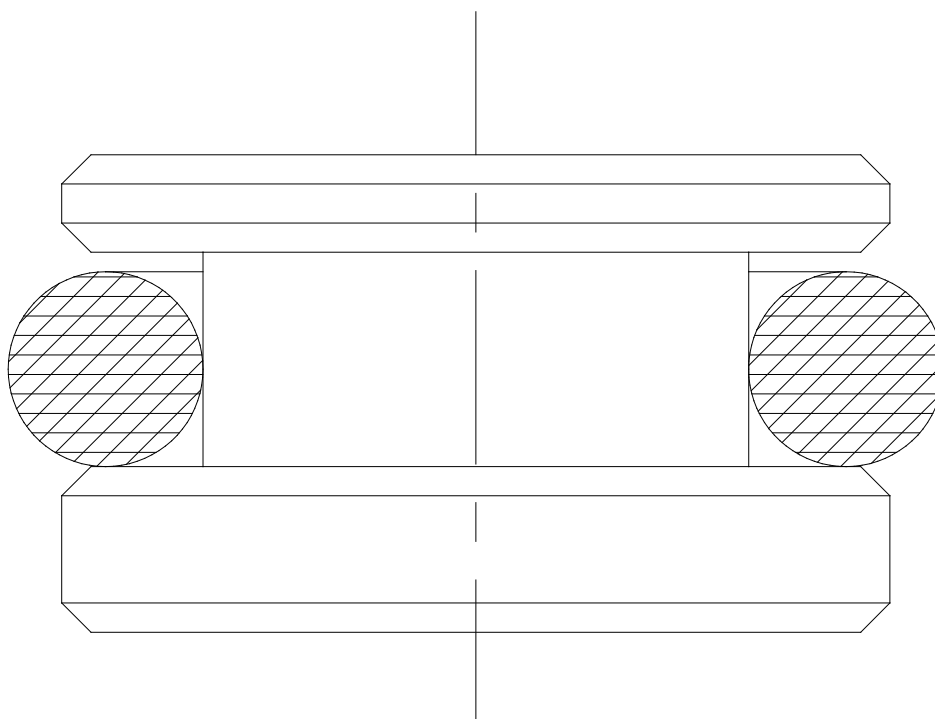
### TECHNICAL DATA

Mod.	TCNVL/3
SD	G1/8

## Blanking plug for CNVL manifolds - Series 3/ Series 4

Product code: TCNVL/3

---



### **DIMENSIONS**

<b>Mod.</b>	TCNVL/3
<b>SD</b>	G1/8