

Blanking plug for CNVL manifolds - Series 3/ Series 4

Product code: TCNVL/5

Datasheet creation date: 07/03/2025 16:14

Check the most updated document online [click here](#)

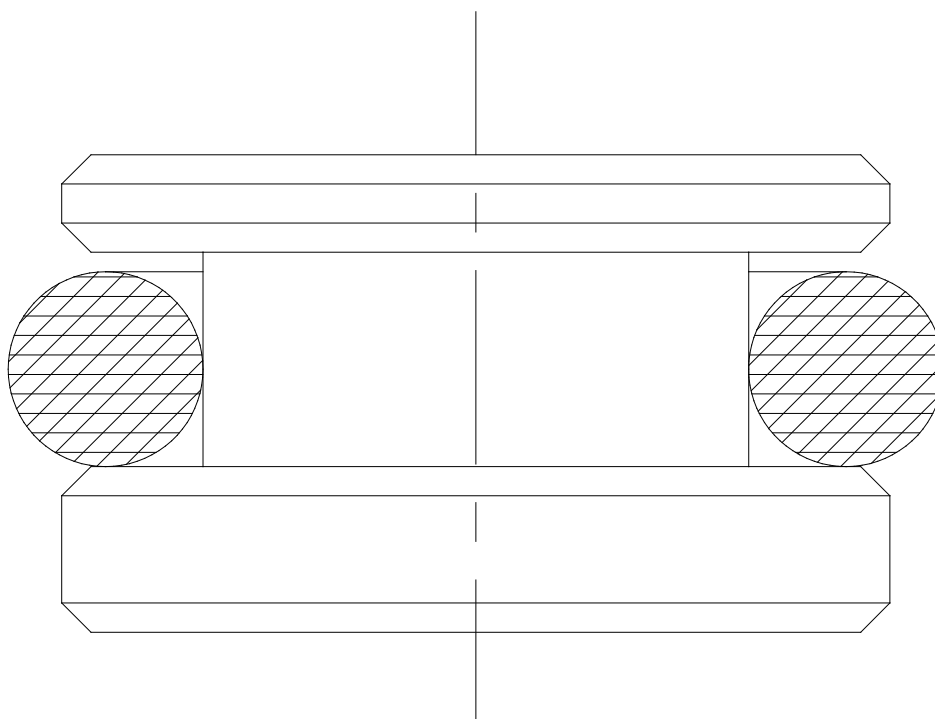


TECHNICAL DATA

Mod.	TCNVL/5
SD	G1/4

Blanking plug for CNVL manifolds - Series 3/ Series 4

Product code: TCNVL/5



DIMENSIONS

Mod.	TCNVL/5
SD	G1/4