

Valves - Series TMCO

Product code: TMCO 972-1/8-4

Datasheet creation date: 10/03/2025 12:17

Check the most updated document online [click here](#)

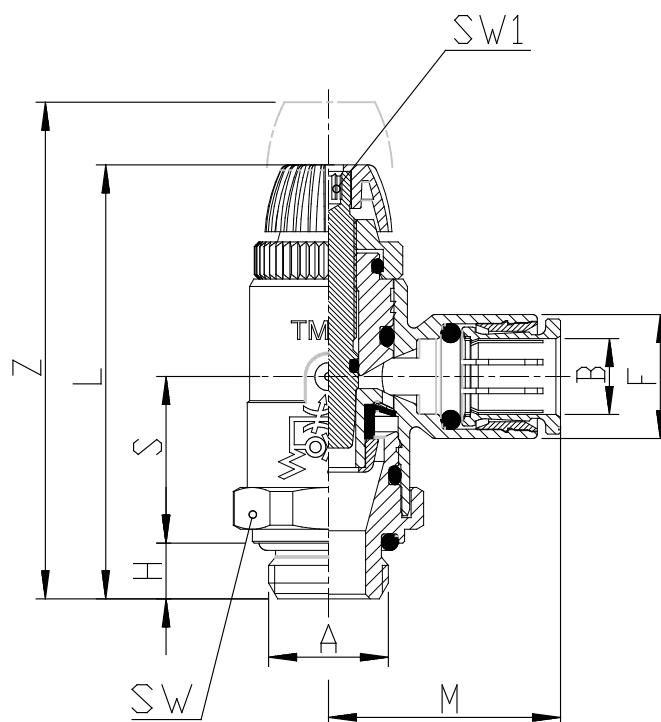


TECHNICAL DATA

Mod.	TMCO 972-1/8-4
------	----------------

Valves - Series TMCO

Product code: TMCO 972-1/8-4



DIMENSIONS

A	G1/8
B (mm)	4
F (mm)	11.5
H (mm)	5
L (mm)	41.0
M (mm)	21.5
S (mm)	16.5
SW (mm)	16
SW1 (mm)	1.5
Z (mm)	48.0