

## Valves - Series TMCO

Product code: TMCO 974-1/8-6

Datasheet creation date: 10/03/2025 12:17

Check the most updated document online [click here](#)

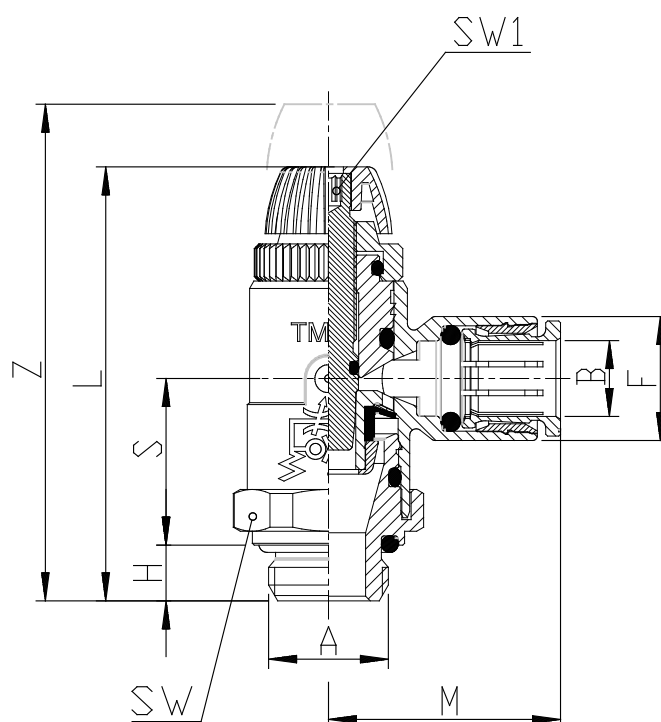


### TECHNICAL DATA

Mod.	TMCO 974-1/8-6
------	----------------

## Valves - Series TMCO

Product code: TMCO 974-1/8-6



### DIMENSIONS

<b>A</b>	G1/8
<b>B (mm)</b>	6
<b>F (mm)</b>	11.5
<b>H (mm)</b>	5
<b>L (mm)</b>	41.0
<b>M (mm)</b>	21.5
<b>S (mm)</b>	16.5
<b>SW (mm)</b>	16
<b>SW1 (mm)</b>	1.5
<b>Z (mm)</b>	48.0