

- Valves series TMCU

Product code: TMCU 05-04

Datasheet creation date: 10/03/2025 12:17

Check the most updated document online [click here](#)

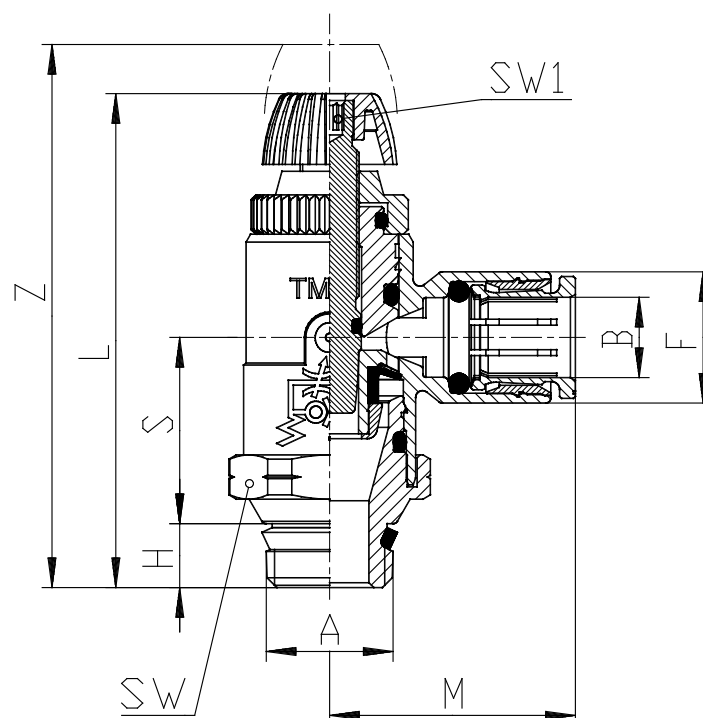


TECHNICAL DATA

Mod.	TMCU 05-04
------	------------

- Valves series TMCU

Product code: TMCU 05-04



DIMENSIONS

A (mm)	1/4
B (NPTF) (INCH)	5/16
F (INCH)	0.531
H (INCH)	0.256
L (INCH)	1.890
M (INCH)	0.984
S (INCH)	0.748
SW (INCH)	0.748
SW1 (INCH)	0.098
Z (INCH)	2.165