

Valves - Series TMCU

Product code: TMCU 974-1/8-6

Datasheet creation date: 10/03/2025 12:17

Check the most updated document online [click here](#)

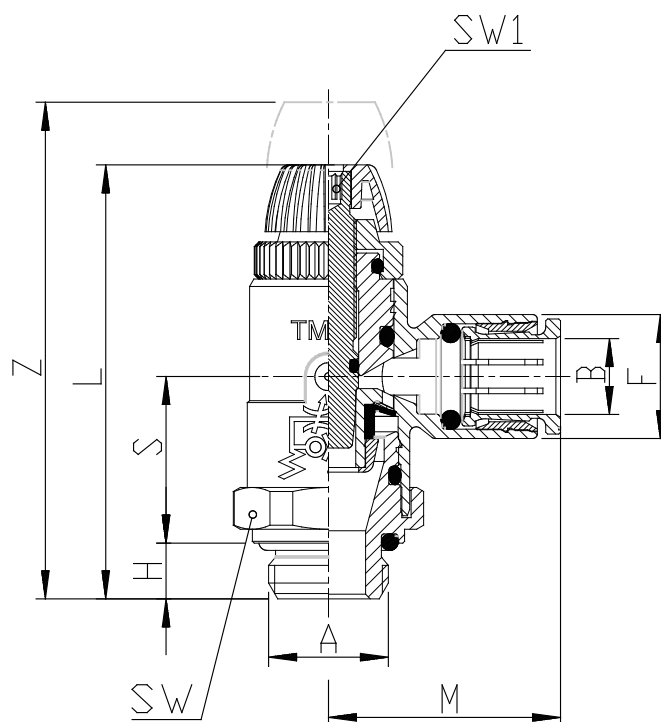


TECHNICAL DATA

Mod.	TMCU 974-1/8-6
------	----------------

Valves - Series TMCU

Product code: TMCU 974-1/8-6



DIMENSIONS

A (mm)	G1/8
B (mm)	6
F (mm)	11.5
H (mm)	5
L (mm)	41.0
M (mm)	21.5
S (mm)	16.5
SW (mm)	16
SW1 (mm)	1.5
Z (mm)	48.0