

Valves - Series TMCU

Product code: TMCU 978-1/2-10

Datasheet creation date: 10/03/2025 12:17

Check the most updated document online [click here](#)

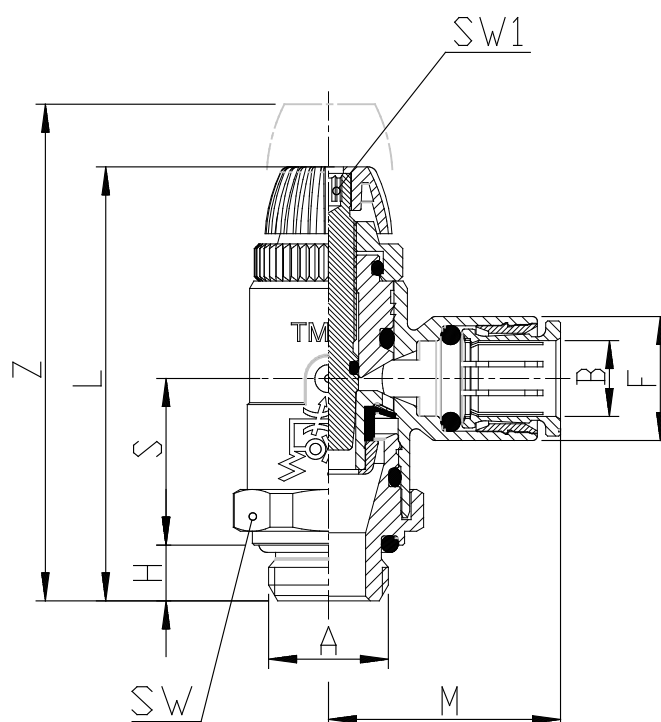


TECHNICAL DATA

Mod.	TMCU 978-1/2-10
------	-----------------

Valves - Series TMCU

Product code: TMCU 978-1/2-10



DIMENSIONS

A (mm)	G1/2
B (mm)	10
F (mm)	16.0
H (mm)	8
L (mm)	50.0
M (mm)	29.0
S (mm)	17.0
SW (mm)	25
SW1 (mm)	2.5
Z (mm)	58.5