

- Valves series TMCU

Product code: TMVU 05-06

Datasheet creation date: 10/03/2025 12:18

Check the most updated document online [click here](#)

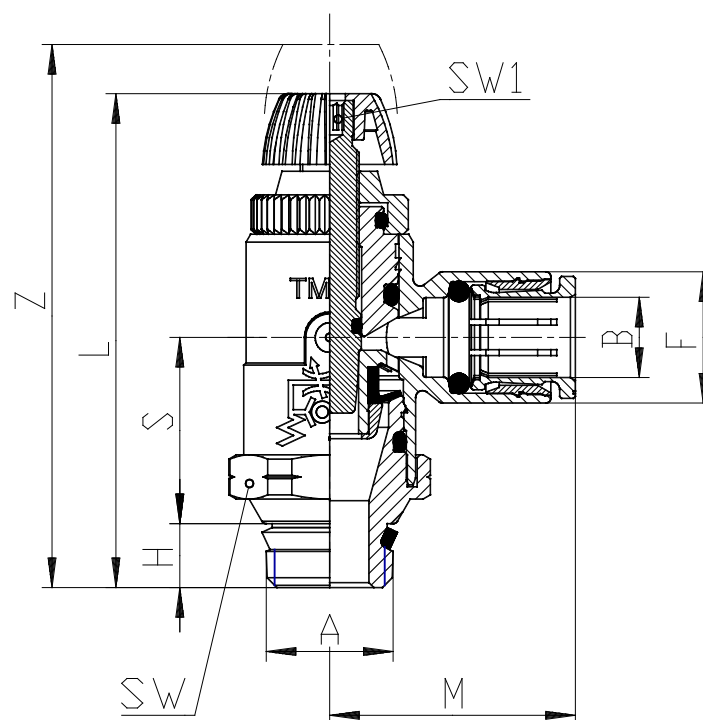


TECHNICAL DATA

Mod.	TMVU 05-06
------	------------

- Valves series TMCU

Product code: TMVU 05-06



■ DIMENSIONS

A (mm)	3/8
B (NPTF) (INCH)	5/16
F (INCH)	0.531
H (INCH)	0.295
L (INCH)	1.929
M (INCH)	0.984
S (INCH)	0.748
SW (INCH)	0.748
SW1 (INCH)	0.098
Z (INCH)	2.205