

## Valves - Series TMVU

Product code: TMVU 978-1/2-10

Datasheet creation date: 10/03/2025 12:18

Check the most updated document online [click here](#)

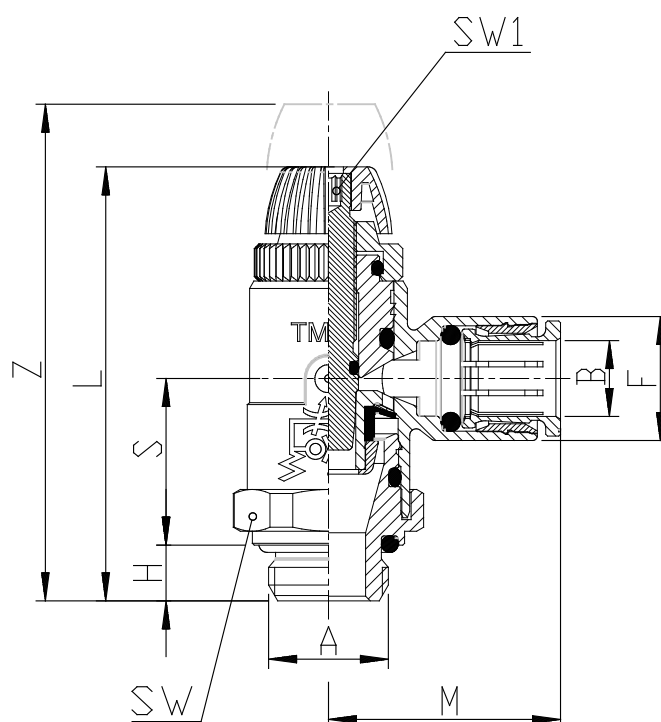


### TECHNICAL DATA

Mod.	TMVU 978-1/2-10
------	-----------------

## Valves - Series TMVU

Product code: TMVU 978-1/2-10



### DIMENSIONS

<b>A (A)</b>	G1/2
<b>B (B / mm)</b>	10
<b>F (F / mm)</b>	16.0
<b>H (H / mm)</b>	8
<b>L (L / mm)</b>	50.0
<b>M (M / mm)</b>	29.0
<b>S (S / mm)</b>	17.0
<b>SW (SW / mm)</b>	25
<b>SW1 (SW1 / mm)</b>	2.5
<b>Z (Z / mm)</b>	58.5