

Blanking plate for manifolds - base mounted valves (1) - Series EN 19

Product code: TP-EN551

Datasheet creation date: 07/03/2025 16:14

Check the most updated document online [click here](#)

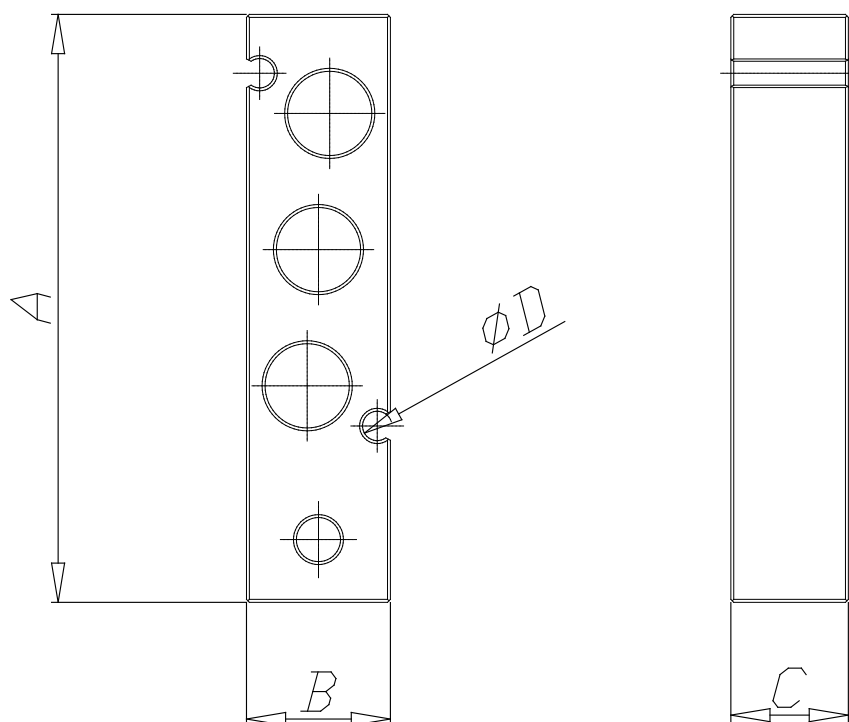


TECHNICAL DATA

Mod.	TP-EN551
------	----------

Blanking plate for manifolds - base mounted valves (1) - Series EN 19

Product code: TP-EN551



DIMENSIONS

Size (mm)	19
A (mm)	62
B (mm)	17.3
C (mm)	12
D (mm)	3.2