

Centring sleeve - Mod. TR

Product code: TR-32-32

Datasheet creation date: 07/03/2025 15:58

Check the most updated document online [click here](#)

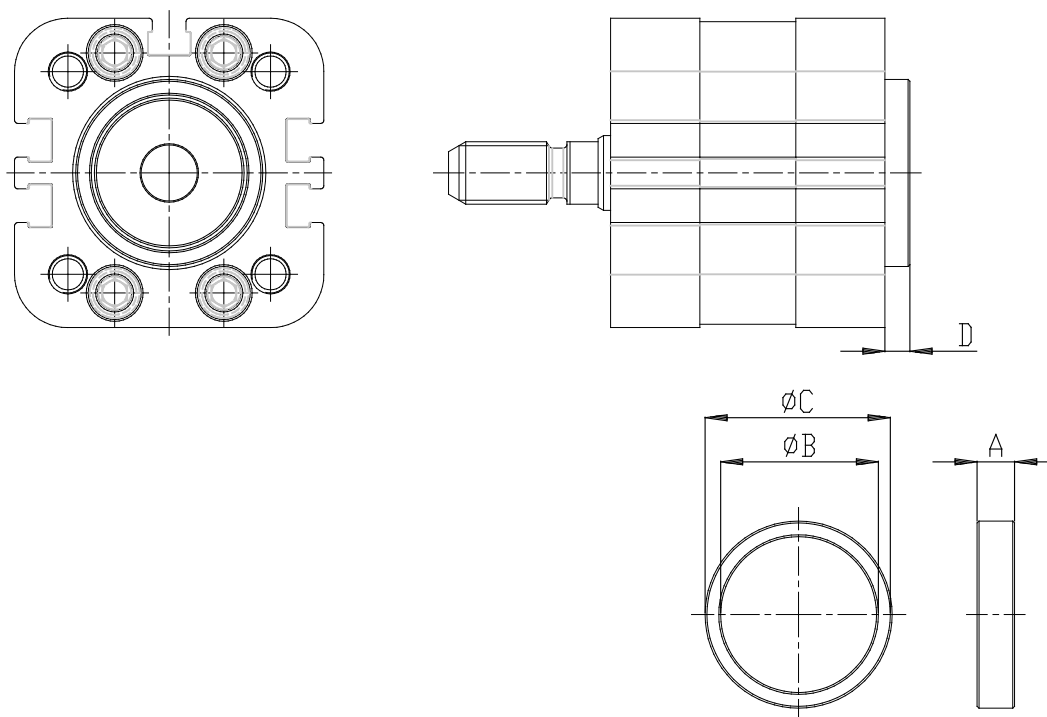


TECHNICAL DATA

Mod.	TR-32-32
------	----------

Centring sleeve - Mod. TR

Product code: TR-32-32



DIMENSIONS

A (mm)	6
B (mm)	25
C (mm)	30
D (mm)	4