

## Centring sleeve - Mod. TR

Product code: TR-32-50

Datasheet creation date: 07/03/2025 15:58

Check the most updated document online [click here](#)

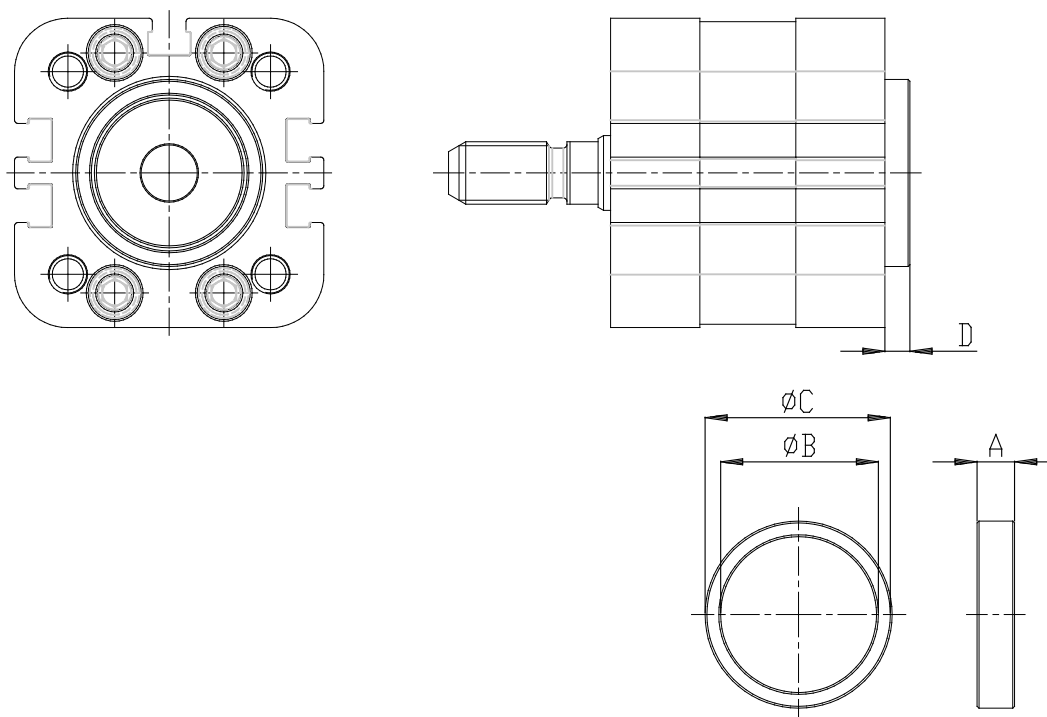


### TECHNICAL DATA

Mod.	TR-32-50
------	----------

## Centring sleeve - Mod. TR

Product code: TR-32-50



### DIMENSIONS

<b>A (mm)</b>	6
<b>B (mm)</b>	35
<b>C (mm)</b>	40
<b>D (mm)</b>	4