

Solenoids for solenoid valves - Mod. U70/G70

Product code: U710EX

Datasheet creation date: 10/03/2025 10:52

Check the most updated document online [click here](#)

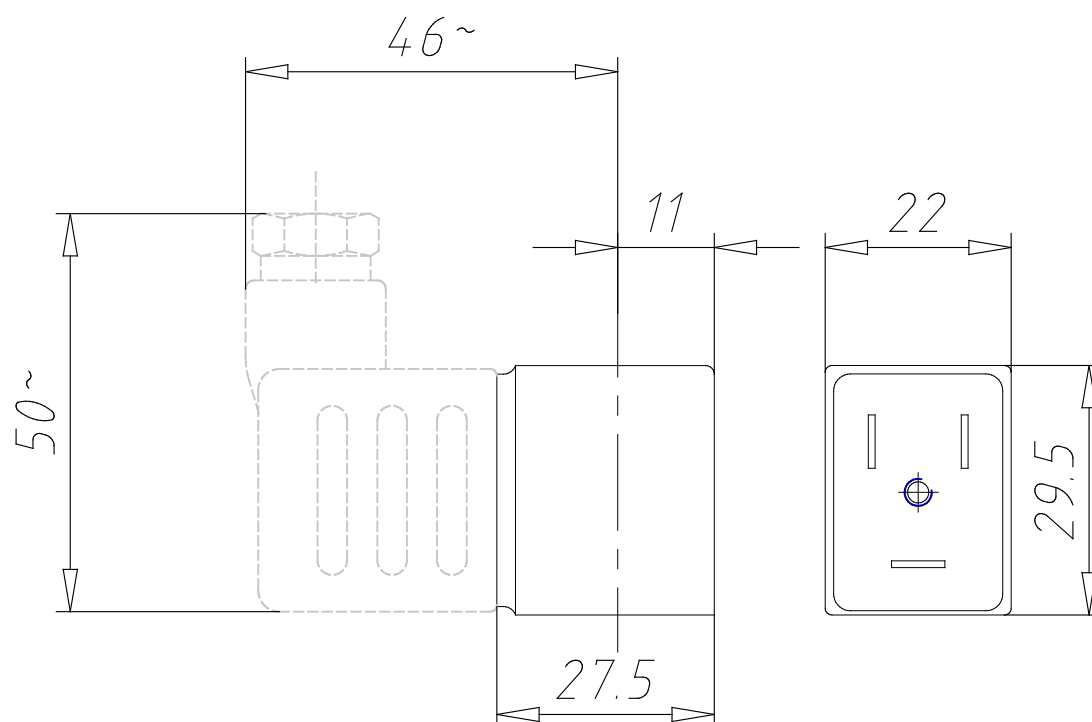


TECHNICAL DATA

Mod.	U710
Voltage (V)	110
Frequency (Hz)	DC
Power absorption (W)	3.2 W

Solenoids for solenoid valves - Mod. U70/G70

Product code: U710EX



DIMENSIONS

Mod.	U710
Voltage (V)	110
Frequency (Hz)	DC
Power absorption (W)	3.2 W