

## Solenoids for solenoid valves - Mod. U70/G70

Product code: U771EX

Datasheet creation date: 10/03/2025 10:52

Check the most updated document online [click here](#)

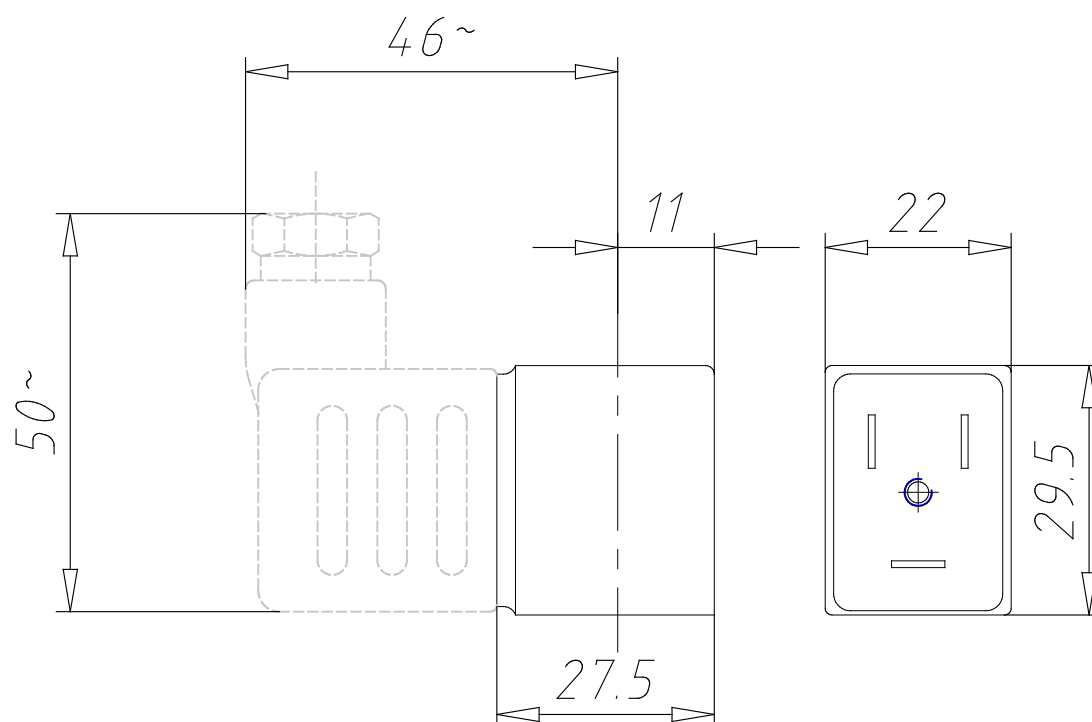


### ■ TECHNICAL DATA

<b>Mod.</b>	U771
<b>Voltage (V)</b>	24
<b>Frequency (Hz)</b>	DC
<b>Power absorption (W)</b>	3.1 W

## Solenoids for solenoid valves - Mod. U70/G70

Product code: U771EX



### **DIMENSIONS**

<b>Mod.</b>	U771
<b>Voltage (V)</b>	24
<b>Frequency (Hz)</b>	DC
<b>Power absorption (W)</b>	3.1 W