

Solenoids for solenoid valves - Mod. U70/G70

Product code: U7K1EX

Datasheet creation date: 10/03/2025 10:53

Check the most updated document online [click here](#)

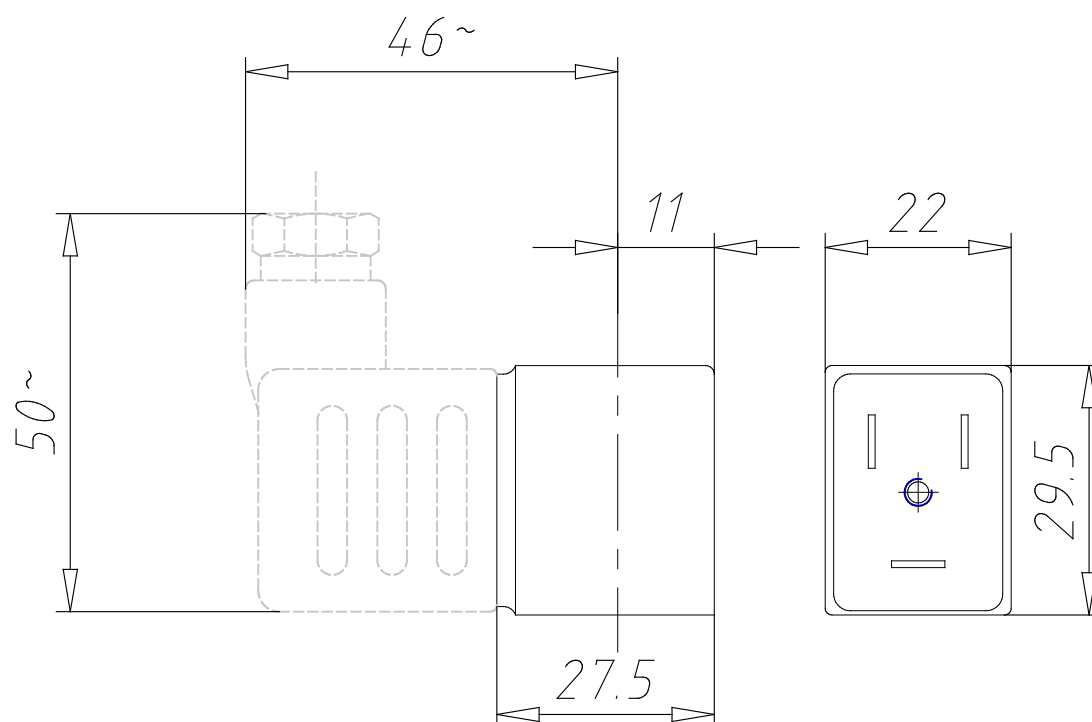


TECHNICAL DATA

Mod.	U7K1
Voltage (V)	110
Frequency (Hz)	AC 50 / 60
Power absorption (W)	4.3 VA

Solenoids for solenoid valves - Mod. U70/G70

Product code: U7K1EX



DIMENSIONS

Mod.	U7K1
Voltage (V)	110
Frequency (Hz)	AC 50 / 60
Power absorption (W)	4.3 VA