

Mod. VDC - Air brake fittings series 9000

Product code: VDC2 M22X1,5B

Datasheet creation date: 10/03/2025 09:03

Check the most updated document online [click here](#)

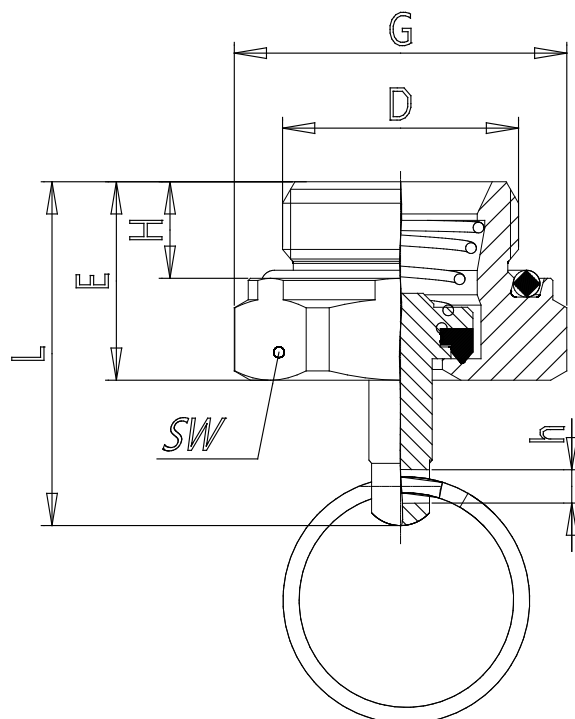


TECHNICAL DATA

Mod.	VDC2 M22X1,5B
------	---------------

Mod. VDC - Air brake fittings series 9000

Product code: VDC2 M22X1,5B



DIMENSIONS

D (mm)	M22x1.5
h (mm)	3.2
d (mm)	0.0
E (mm)	18.5
G (mm)	31
H (mm)	9
L (mm)	32.1
SW (mm)	28