

## Mod. VDC - Air brake fittings series 9000

Product code: VDC2 M22X1,5B/1

Datasheet creation date: 10/03/2025 09:03

Check the most updated document online [click here](#)

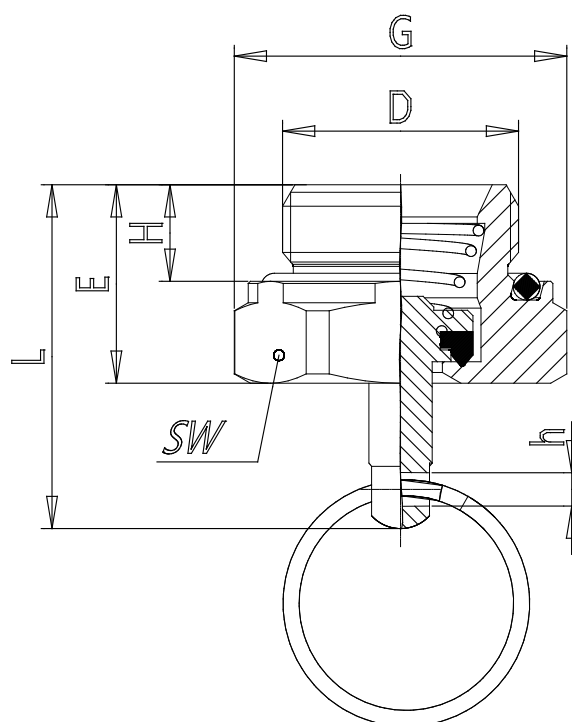


### TECHNICAL DATA

|      |                 |
|------|-----------------|
| Mod. | VDC2 M22X1,5B/1 |
|------|-----------------|

## Mod. VDC - Air brake fittings series 9000

Product code: VDC2 M22X1,5B/1



### DIMENSIONS

|                |         |
|----------------|---------|
| <b>D (mm)</b>  | M22x1.5 |
| <b>h (mm)</b>  | 3.2     |
| <b>d (mm)</b>  | 0.0     |
| <b>E (mm)</b>  | 18.5    |
| <b>G (mm)</b>  | 31      |
| <b>H (mm)</b>  | 9       |
| <b>L (mm)</b>  | 32.1    |
| <b>SW (mm)</b> | 28      |