

Basics ejectors - Series VEBL

Product code: VEBL-15H-T2

Datasheet creation date: 10/03/2025 00:22

Check the most updated document online [click here](#)

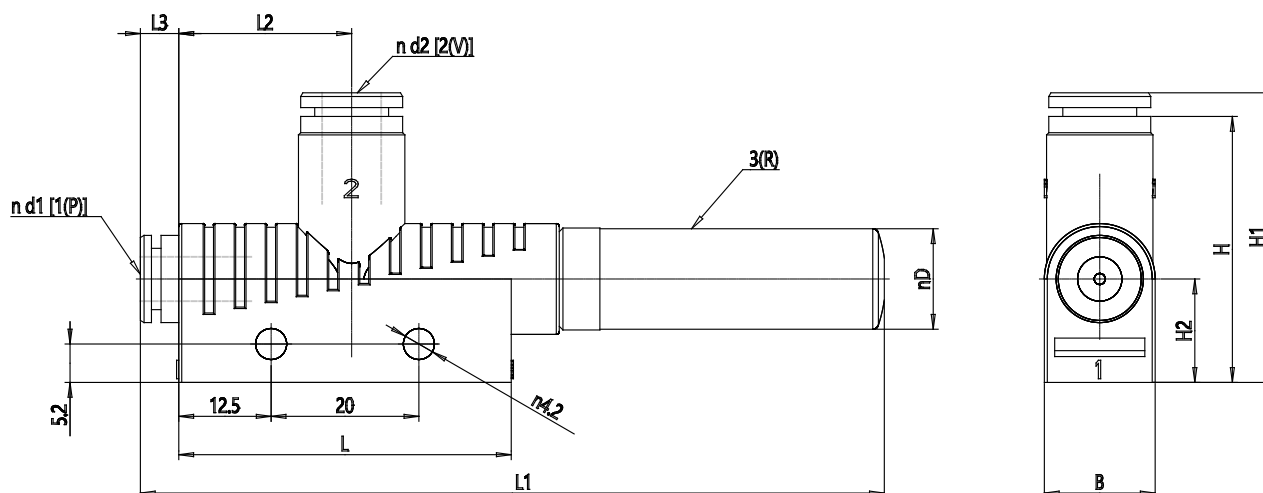


TECHNICAL DATA

| | |
|------|-------------|
| Mod. | VEBL-15H-T2 |
|------|-------------|

Basics ejectors - Series VEBL

Product code: VEBL-15H-T2



DIMENSIONS

| | |
|---------|------|
| B (mm) | 15 |
| D1 (mm) | 6 |
| D2 (mm) | 8 |
| D (mm) | 14 |
| H (mm) | 34 |
| H1 (mm) | 40.0 |
| H2 (mm) | 14 |
| L (mm) | 51.5 |
| L1 (mm) | 97 |
| L2 (mm) | 22.0 |
| L3 (mm) | 5.5 |