

Basics ejectors - Series VEBL

Product code: VEBL-20H-T3

Datasheet creation date: 10/03/2025 00:22

Check the most updated document online [click here](#)

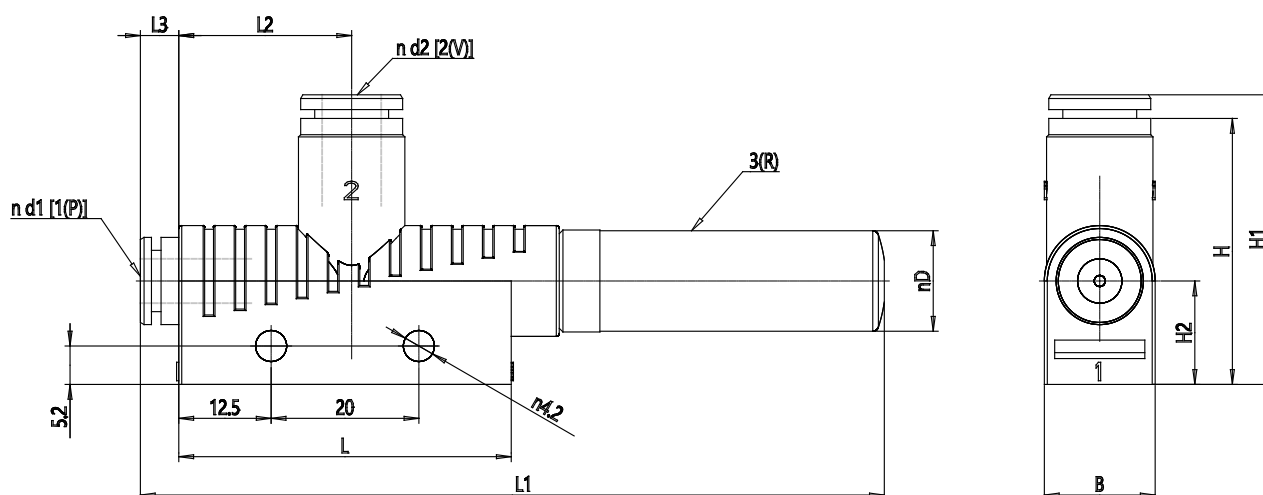


TECHNICAL DATA

Mod.	VEBL-20H-T3
------	-------------

Basics ejectors - Series VEBL

Product code: VEBL-20H-T3



DIMENSIONS

B (mm)	20
D1 (mm)	8
D2 (mm)	10
D (mm)	20
H (mm)	39
H1 (mm)	45.5
H2 (mm)	17
L (mm)	86.5
L1 (mm)	168
L2 (mm)	24.5
L3 (mm)	5.5