

## Accessories - Mod. VEBL-PCF

Product code: VEBL-PCF

Datasheet creation date: 07/03/2025 16:25

Check the most updated document online [click here](#)

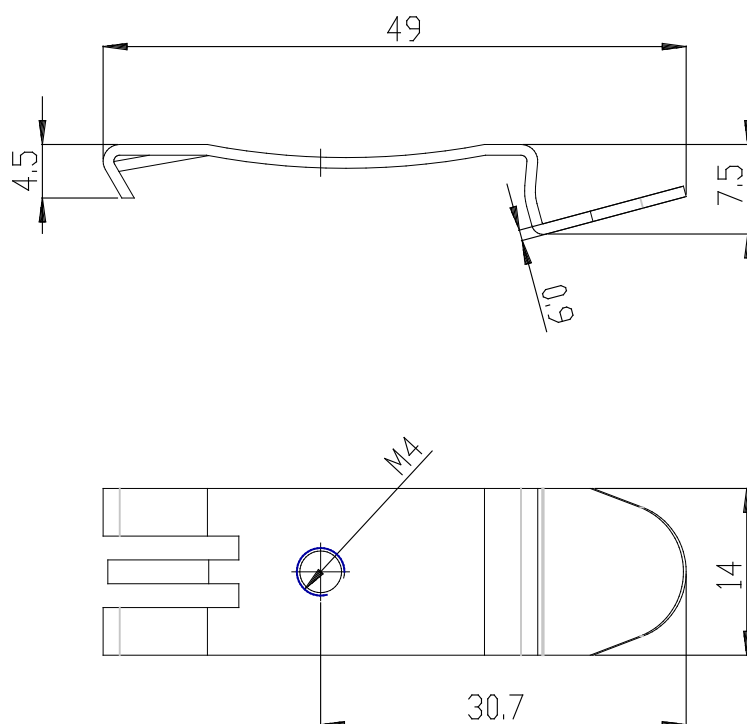


### TECHNICAL DATA

|      |          |
|------|----------|
| Mod. | VEBL-PCF |
|------|----------|

## Accessories - Mod. VEBL-PCF

Product code: VEBL-PCF



### **DIMENSIONS**

|      |          |
|------|----------|
| Mod. | VEBL-PCF |
|------|----------|