

Inline ejectors - Series VEDL

Product code: VEDL-07-T1

Datasheet creation date: 10/03/2025 00:26

Check the most updated document online [click here](#)

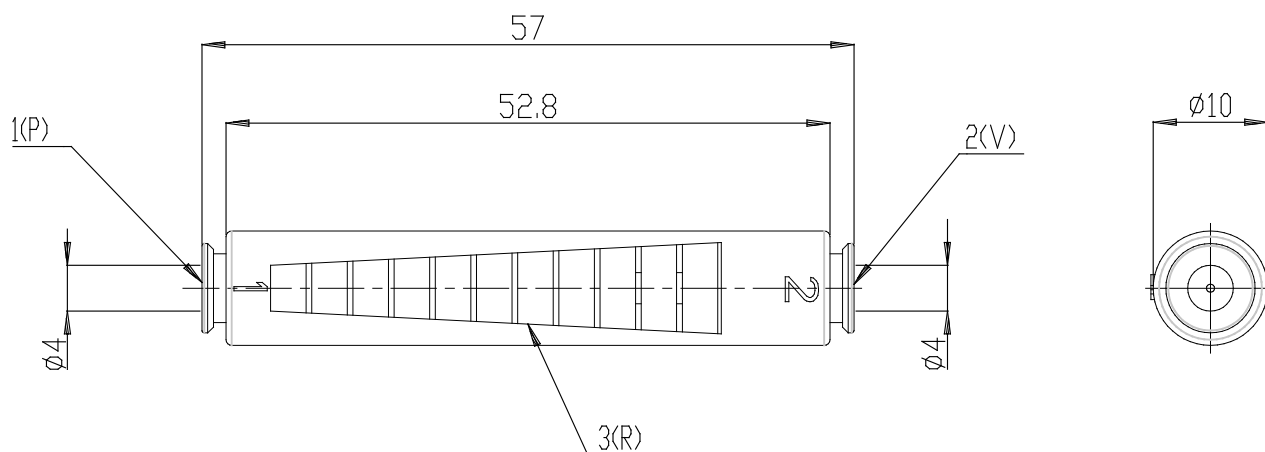


TECHNICAL DATA

| | |
|------|------------|
| Mod. | VEDL-07-T1 |
|------|------------|

Inline ejectors - Series VEDL

Product code: VEDL-07-T1



DIMENSIONS

| | |
|------|------------|
| Mod. | VEDL-07-T1 |
|------|------------|