

Compact ejectors - Series VEQ

Product code: VEQ-05NC-I

Datasheet creation date: 10/03/2025 00:28

Check the most updated document online [click here](#)

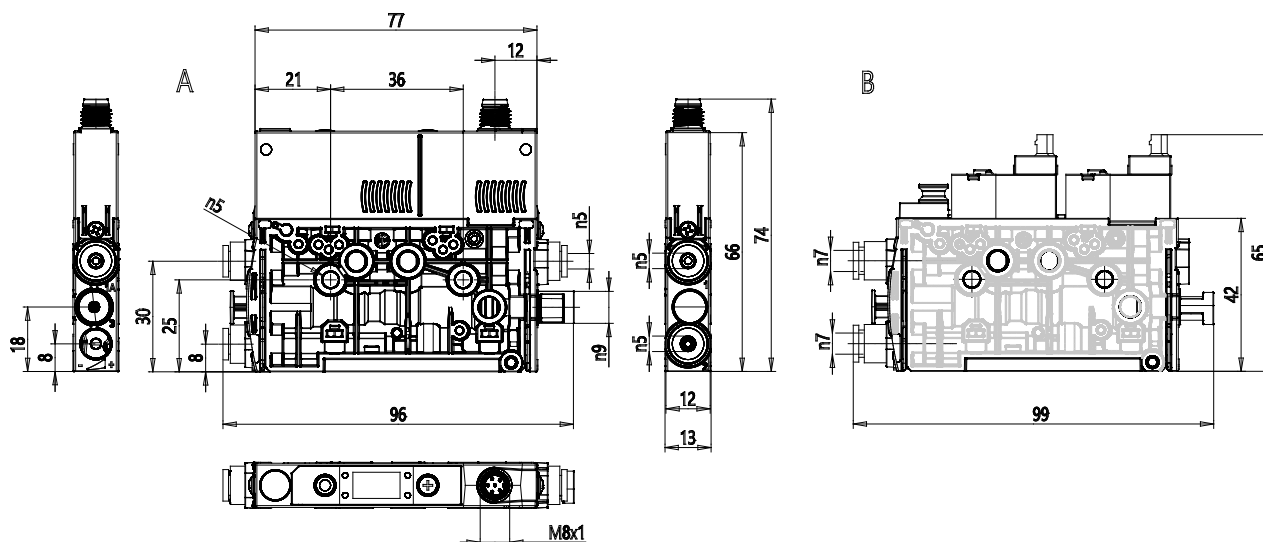


TECHNICAL DATA

Series	VEQ
Venturi nozzle diameter	05 = 0,5 mm
Valve type	NC = without vacuum at rest position
Version	I = saving of compressed air + I/O LINK

Compact ejectors - Series VEQ

Product code: VEQ-05NC-I



DIMENSIONS

Nozzle Ø (mm)	0.5
Degree of discharge (%)	87
Max suction capacity ((l/min))	8
Consumption ((l/min))	9
Exhaust consumption ((m ³ /h))	10
Noise in suction ([db(A)])	55
Noise in mantaining ([db(A)])	66
Working pressure (bar)	3,5 - 6
Int diameter compressed air tube (mm)	2
Int diameter for vacuum tube (mm)	2
Delta temperature (°C)	0 / 50°
L (mm)	0
L1 (mm)	0