

## Compact ejectors - Series VEQ

Product code: VEQ-05NO-I

Datasheet creation date: 10/03/2025 00:29

Check the most updated document online [click here](#)

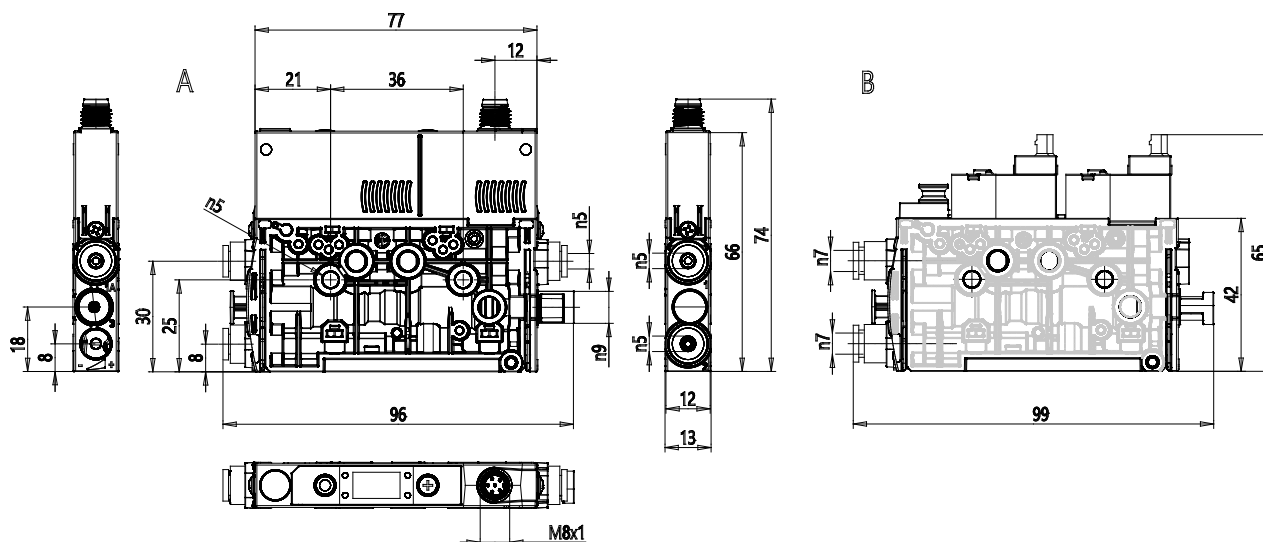


### TECHNICAL DATA

<b>Series</b>	VEQ
<b>Venturi nozzle diameter</b>	05 = 0,5 mm
<b>Valve type</b>	NO = with vacuum at rest position
<b>Version</b>	I = saving of compressed air + I/O LINK

## Compact ejectors - Series VEQ

Product code: VEQ-05NO-I



### DIMENSIONS

Nozzle Ø (mm)	0.5
Degree of discharge (%)	87
Max suction capacity ((l/min))	8
Consumption ((l/min))	9
Exhaust consumption ((m <sup>3</sup> /h))	10
Noise in suction ([db(A)])	55
Noise in mantaining ([db(A)])	66
Working pressure (bar)	3,5 - 6
Int diameter compressed air tube (mm)	2
Int diameter for vacuum tube (mm)	2
Delta temperature (°C)	0 / 50°
L (mm)	0
L1 (mm)	0