

Compact ejectors - Series VEQ

Product code: VEQ-10NC-B

Datasheet creation date: 10/03/2025 00:26

Check the most updated document online [click here](#)

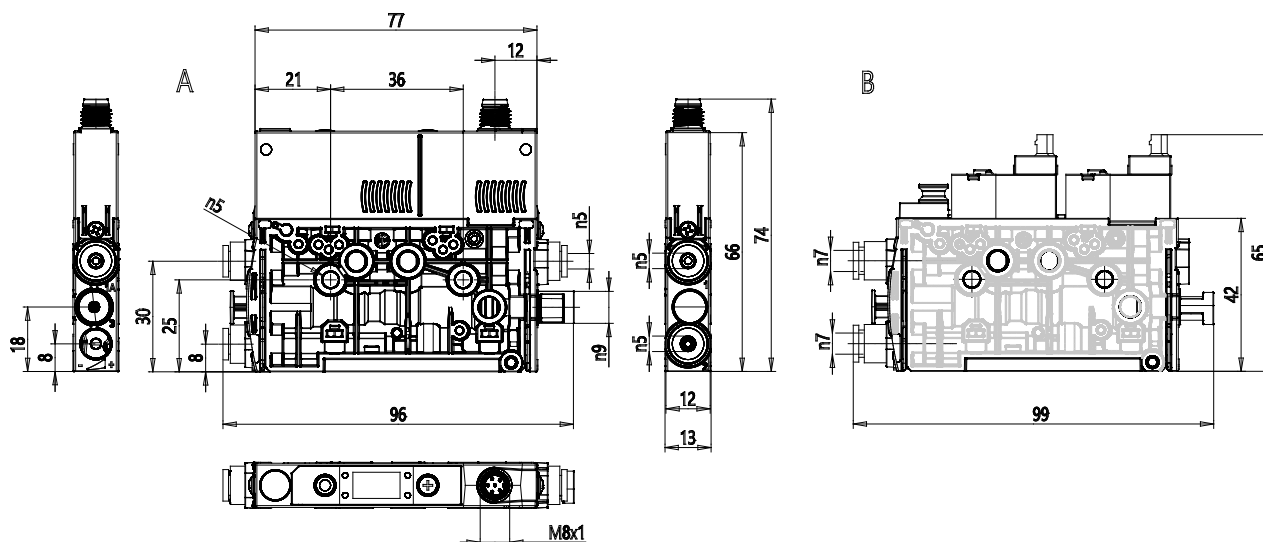


TECHNICAL DATA

Series	VEQ
Venturi nozzle diameter	10 = 1.0 mm
Valve type	NC = without vacuum at rest position
Version	B = base

Compact ejectors - Series VEQ

Product code: VEQ-10NC-B



DIMENSIONS

Nozzle Ø (mm)	1.0
Degree of discharge (%)	87
Max suction capacity ((l/min))	28
Consumption ((l/min))	45
Exhaust consumption ((m ³ /h))	10
Noise in suction ([db(A)])	72
Noise in mantaining ([db(A)])	71
Working pressure (bar)	3,5 - 6
Int diameter compressed air tube (mm)	4
Int diameter for vacuum tube (mm)	4
Delta temperature (°C)	0 / 50°
L (mm)	0
L1 (mm)	0