

Compact ejectors - Series VES

Product code: VES-10NO-I

Datasheet creation date: 10/03/2025 00:24

Check the most updated document online [click here](#)

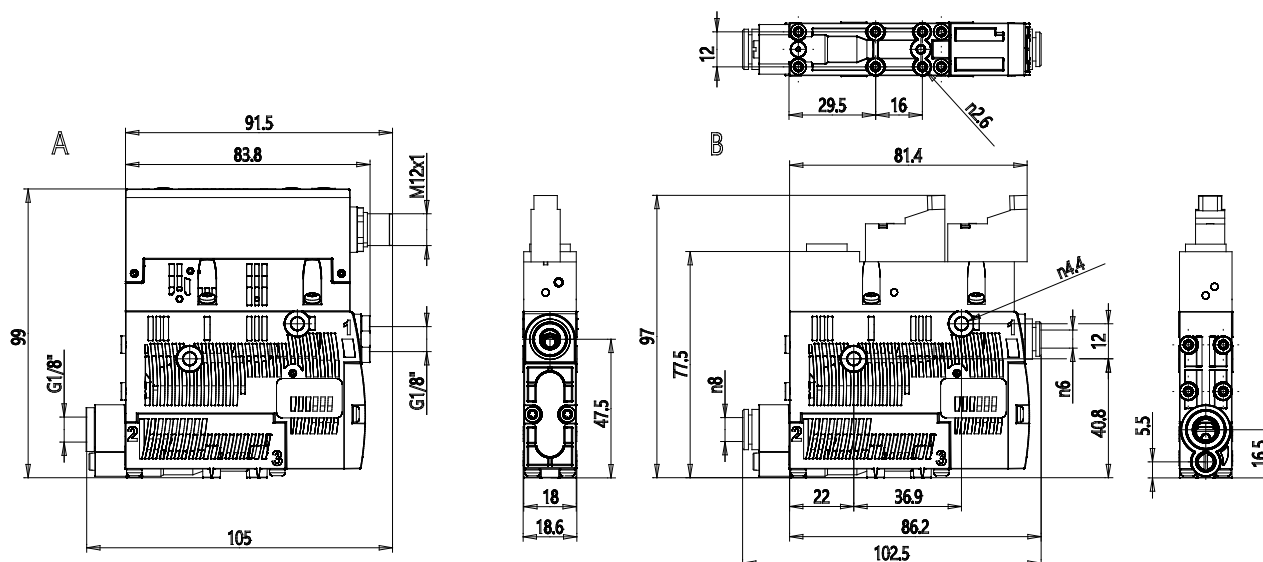


TECHNICAL DATA

Series	VES
Venturi nozzle diameter	10 = 1.0 mm
Valve type	NO = with vacuum at rest position
Version	I = saving of compressed air + I/O LINK

Compact ejectors - Series VES

Product code: VES-10NO-I



DIMENSIONS

Nozzle Ø (mm)	1.0
Degree of discharge (%)	85
Max suction capacity ((l/min))	36.0
Consumption ((l/min))	46
Exhaust consumption ((m ³ /h))	7.2
Noise in suction ([db(A)])	61
Noise in mantaining ([db(A)])	75
Working pressure (bar)	3 - 6
Int diameter compressed air tube (mm)	4
Int diameter for vacuum tube (mm)	4
Delta temperature (°C)	0 / 50°
L (mm)	84
L1 (mm)	105