

Compact ejectors - Series VES

Product code: VES-15NO-B

Datasheet creation date: 10/03/2025 00:25

Check the most updated document online [click here](#)

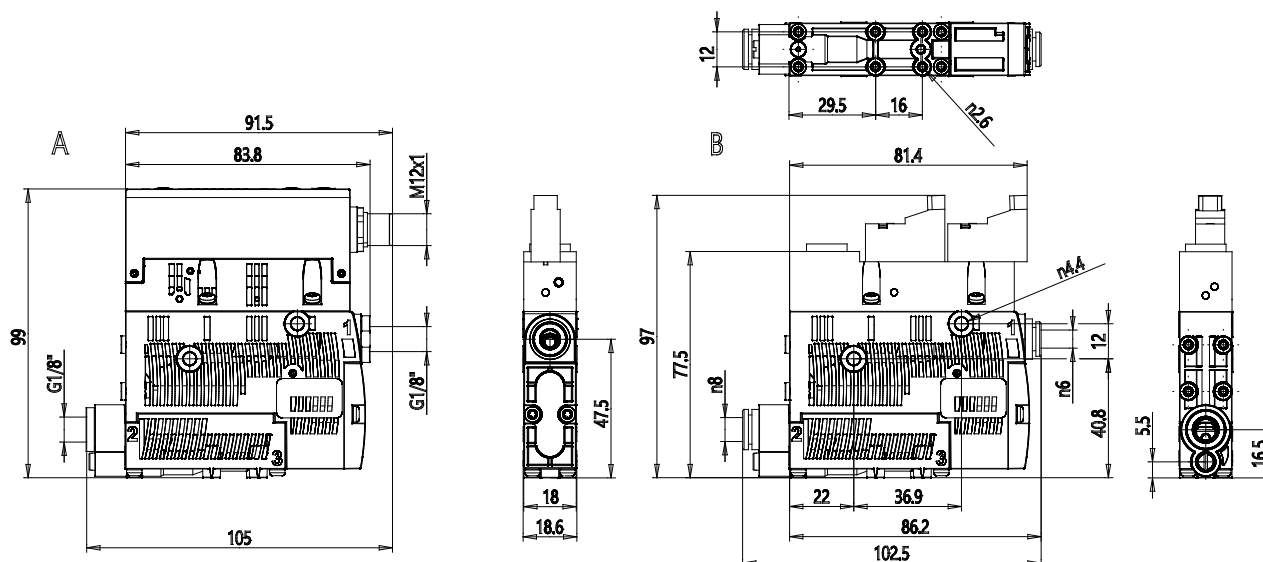


TECHNICAL DATA

| | |
|--------------------------------|-----------------------------------|
| Series | VES |
| Venturi nozzle diameter | 15 = 1.5 mm |
| Valve type | NO = with vacuum at rest position |
| Version | B = base |

Compact ejectors - Series VES

Product code: VES-15NO-B



DIMENSIONS

| | |
|---|---------|
| Nozzle Ø (mm) | 1.5 |
| Degree of discharge (%) | 85 |
| Max suction capacity ((l/min)) | 65.5 |
| Consumption ((l/min)) | 98 |
| Exhaust consumption ((m ³ /h)) | 7.2 |
| Noise in suction ([db(A)]) | 65 |
| Noise in mantaining ([db(A)]) | 77 |
| Working pressure (bar) | 3 - 6 |
| Int diameter compressed air tube (mm) | 4 |
| Int diameter for vacuum tube (mm) | 6 |
| Delta temperature (°C) | 0 / 50° |
| L (mm) | 93 |
| L1 (mm) | 106 |