

Series VPCF round flat suction pads - Series VPCF

Product code: VPCF-0100E-M5F

Datasheet creation date: 10/03/2025 12:20

Check the most updated document online [click here](#)

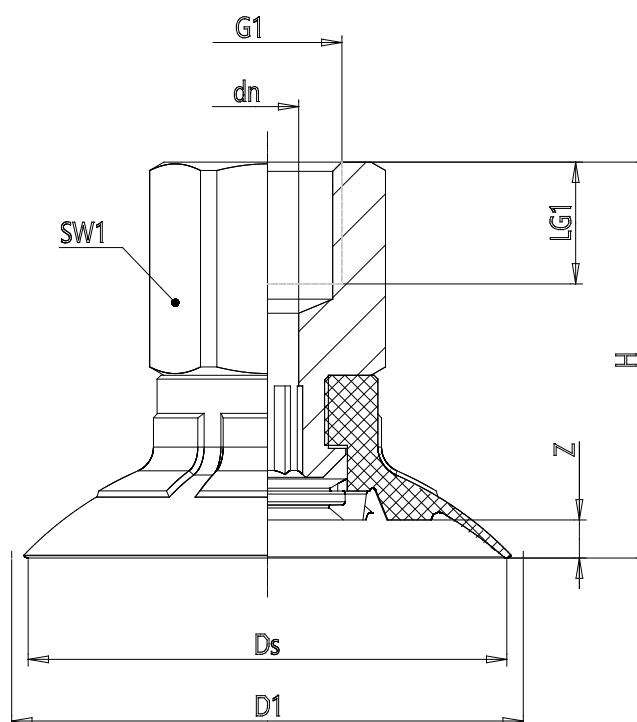


TECHNICAL DATA

Series	VP
Shape	C = circular
Version	F = flat
Diameters	0100 = 10 mm
Materials	E = elastodur
Thread size	M5
Thread type	F = female

Series VPCF round flat suction pads - Series VPCF

Product code: VPCF-0100E-M5F



DIMENSIONS

DN (mm)	1.8
DS (mm)	10.5
D1 (mm)	12.0
G1	M5
H (mm)	19.0
HM (mm)	13.5
HF (mm)	19
LG1 (mm)	5.5
SW1 (mm)	8
Z (mm)	1.0
Suction pad	VPCF 0100E
Nipple	NPS-B-M5