

## Series VPCF round flat suction pads - Series VPCF

Product code: VPCF-0150E-1/8M

Datasheet creation date: 10/03/2025 12:20

Check the most updated document online [click here](#)

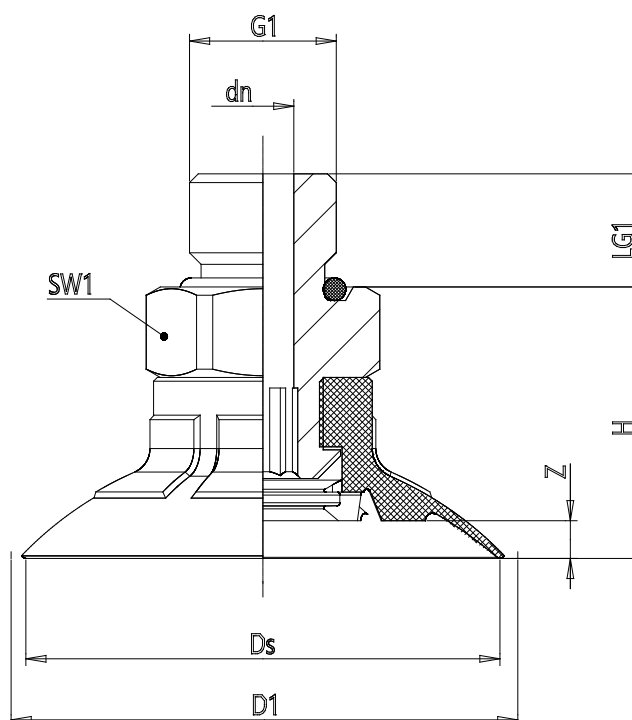


### TECHNICAL DATA

<b>Series</b>	VP
<b>Shape</b>	C = circular
<b>Version</b>	F = flat
<b>Diameters</b>	0150 = 15 mm
<b>Materials</b>	E = elastodur
<b>Thread size</b>	G1/8
<b>Thread type</b>	M = male

## Series VPCF round flat suction pads - Series VPCF

Product code: VPCF-0150E-1/8M



### DIMENSIONS

<b>DN (mm)</b>	4.1
<b>DS (mm)</b>	16.4
<b>D1 (mm)</b>	18.5
<b>G1</b>	G1/8
<b>H (mm)</b>	16.0
<b>HM (mm)</b>	16.0
<b>HF (mm)</b>	24
<b>LG1 (mm)</b>	7.5
<b>SW1 (mm)</b>	14
<b>Z (mm)</b>	1.5
<b>Suction pad</b>	VPCF 0150E
<b>Nipple</b>	NPS-G-1/8